

POWER SUPPLY JUSTIN MLV REMOTE 24VDC 0.2% TECH LIGHTING

PRODUCT FEATURES

Remote Power Supply for MLV dimming down to 0.2%. 120V input voltage with 24V DC output available in 48W and 100W. 48W Load Max. 33W. 100W Load Max. 70W. Enclosure included.



LAMPING

Remote Transformer MLV 0.2%



Remote Transformer MLV 0.2%

ORDERING INFORMATION

ESPR	WATTAGE	OUTPUT VOLTAGE	CONTROLS	INPUT VOLTAGE
048	48W	24 24VDC	JMLV MLV	120 120V
100	100W			

ESPR _____

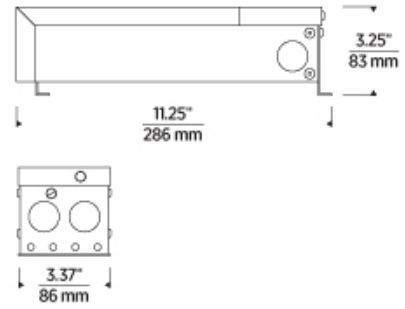
JOB NAME _____

NOTES _____

POWER SUPPLY JUSTIN MLV REMOTE 24VDC 0.2% TECH LIGHTING

SPECIFICATIONS

PRIMARY MATERIAL
SHADE MATERIAL
NET WEIGHT
HEIGHT
WIDTH
LENGTH
WET LISTED
DAMP LISTED
DRY LISTED
GENERAL LISTING
INCLUDES



LAMPING SPECIFICATIONS

	LED LAMP	INTEGRATED LED	NON LED	NO LAMP
DELIVERED LUMENS				
WATTS				
MAX WATTAGE PER BULB				
INPUT VOLTAGE/ DIMMING TYPE				
CCT				
CRI				
LED LIFETIME				
L70				
AVERAGE BULB HOURS				
FIELD SERVICEABLE LED				
LAMP BASE				
LAMP SHAPE				
LAMP INCLUDED?				
WARRANTY**				

* Dimming information available at www.techlighting.com/Downloads#dimming
 ** Visit techlighting.com for specific warranty limitations and details.

T20 / T24 / JA8 INFORMATION

	Integrated LED	Replacement LED Lamp	No Lamp *
This product can be used to comply with California Building Energy Efficiency Standards 2016 Title 24 Part 6 / JA8.			Yes
This product can be used to comply with California Appliance Efficiency Standards 2016 Title 20 and may be shipped to and sold in California.			Yes

* If a light fixture or component does not include a lamp or light source, it is the responsibility of the customer to select a lamp that meets the T24 and T20 requirements.

