

# KABLE LITE 4" ROUND POWER FEED CANOPY SINGLE-FEED

## PRODUCT FEATURES

### LAMPING

It can be used anywhere in the run. It brings power to the Kable Lite run from a remote single-feed transformer (sold separately). The low-voltage leads from the remote transformer are connected to the canopy leads inside a standard junction box. The two leads from the canopy are 24" long and can be cut and bent in the field. To drop the Kable Lite system farther down from the ceiling, add a pair of hardwire feeds (sold separately).



Kable Lite 4" Round Power Feed Canopy Single-Feed



Kable Lite 4" Round Power Feed Canopy Single-Feed

## ORDERING INFORMATION

700KP4C24 SHAPE OR SIZE	LENGTH (A)	FINISH
4" ROUND	24"	C CHROME S SATIN NICKEL

700KP4C24 \_\_\_\_\_

JOB NAME \_\_\_\_\_

NOTES \_\_\_\_\_

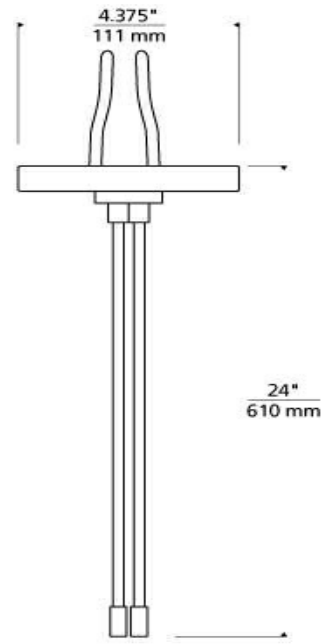
\_\_\_\_\_



# KABLE LITE 4" ROUND POWER FEED CANOPY SINGLE-FEED

## SPECIFICATIONS

HARDWARE MATERIAL	
SHADE MATERIAL	
NET WEIGHT	0.7 lbs
HEIGHT	24in
WIDTH	2.5in
LENGTH	3.6in
WET LISTED	
DAMP LISTED	
DRY LISTED	
GENERAL LISTING	ETL Listed
INCLUDES	



## LAMPING SPECIFICATIONS

	LED LAMP	INTEGRATED LED	NON LED	NO LAMP
DELIVERED LUMENS				
WATTS				
MAX WATTAGE PER BULB				
INPUT VOLTAGE			0V	
DIMMING TYPE*				
CCT				
CRI				
LED LIFETIME				
L70				
AVERAGE BULB HOURS				
FIELD SERVICEABLE LED				
LAMP BASE				
LAMP SHAPE				
LAMP INCLUDED?			Y	
WARRANTY**			1 Year	

\* Dimming information available at [www.techlighting.com/Downloads#dimming](http://www.techlighting.com/Downloads#dimming)

\*\* Visit [techlighting.com](http://techlighting.com) for specific warranty limitations and details.

## T20 / T24 INFORMATION

	Integrated LED	Replacement LED Lamp	No Lamp *
This product can be used to comply with California Building Energy Efficiency Standards 2016 <b>Title 24</b> Part 6.			N/A
This product can be used to comply with California Appliance Efficiency Standards 2016 <b>Title 20</b> and may be shipped to and sold in California.			N/A

\* If a light fixture or component does not include a lamp or light source, it is the responsibility of the customer to select a lamp that meets the T24 and T20 requirements.

