

PRODUCT FEATURES

- Designed with two blades of LED light shaped by elegant glass-acrylic cylinders
- Mounts horizontally or vertically. The LED Driver is housed within the junction box for this product
- Coordinate with the entire Linger family, including Chandeliers, Linear Suspension, Pendant and 1-Light Wall Sconce
- This item is made of natural brass. It is a living finish that will patina and warm with age which adds richness. If it gets an uneven patina or spots, a brass cleaner can restore the finish
- The LED Driver is housed within the junction box for this product
- Protected by a 5-year warranty, please visit the "About Us" Page on techlighting.com for more for warranty details



LAMPING

Includes 120 volt 17.4 watts, 1145 delivered lumens, 3000K LED module. Dimmable with most LED compatible ELV and TRIAC dimmers. 277V compatible with 0-10V dimmers. Mounts horizontally or vertically. ADA compliant. Ships with (1) 7.5IN and (2) 13.5IN additional pieces of glass for customization.

Nightshade Black 3/4



To view all available finish options, please visit techlighting.com

ORDERING INFORMATION

700BCLNG	SHAPE OR SIZE	FINISH	LAMP
	2-2-LIGHT VANITY	NB NATURAL BRASS	- LED930 INTEGRATED LED 90 CRI 3000K 120V (T24)
		B NIGHTSHADE BLACK	- LED930-277 INTEGRATED LED 90 CRI 3000K 277V
		N POLISHED NICKEL	

700BCLNG _____

JOB NAME _____

NOTES _____

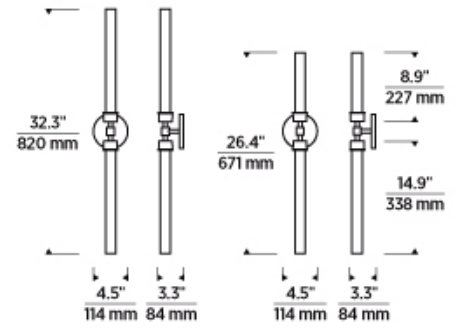


LINGER WALL/BATH



SPECIFICATIONS

PRIMARY MATERIAL	Aluminum
SHADE MATERIAL	Glass
NET WEIGHT	3 lbs
HEIGHT	32.3in
WIDTH	3.3in
LENGTH	4.5in
WET LISTED	
DAMP LISTED	Yes
DRY LISTED	
GENERAL LISTING	ETL Listed
INCLUDES	



LAMPING SPECIFICATIONS

	LED LAMP	INTEGRATED LED	NON LED	NO LAMP
DELIVERED LUMENS		1145		
WATTS		17.4		
MAX WATTAGE PER BULB		17.4W		
INPUT VOLTAGE/ DIMMING TYPE		120V ELV, TRIAC 277V 0-10V		
CCT		3000K		
CRI		90 CRI		
LED LIFETIME		>50000		
AVERAGE BULB HOURS				
FIELD SERVICEABLE LED				
LAMP BASE		Integrated LED		
LAMP SHAPE		Integrated LED		
LAMP INCLUDED?		True		
WARRANTY**		5 Years		

*Dimming information available at www.techlighting.com/Downloads#dimming
 ** Visit techlighting.com for specific warranty limitations and details.

T20 / T24 / JA8 INFORMATION

	Integrated LED	Replacement LED Lamp	No Lamp *
This product can be used to comply with California Building Energy Efficiency Standards 2016 Title 24 Part 6 / JA8.	Yes		
This product can be used to comply with California Appliance Efficiency Standards 2016 Title 20 and may be shipped to and sold in California.	N/A		

* If a light fixture or component does not include a lamp or light source, it is the responsibility of the customer to select a lamp that meets the T24 and T20 requirements.

