

# LINGER 12-LIGHT ABSTRACT CHANDELIER

## PRODUCT FEATURES

- Designed with twelve LED lights shaped by clear outer glass and inner acrylic cylinders
- Available in modern finishes.
- Coordinate with the entire Linger family, including additional chandelier options and wall sconces
- Can be installed on a sloped ceiling up to 35°
- Lamping options are compatible with most dimmers
- Protected by a 5-year warranty, please visit the "About Us" Page on [techlighting.com](http://techlighting.com) for more for warranty details



Polished Nickel

## LAMPING

Includes 53.6 watts, 4251 delivered lumens, 3000K LED modules. Dimmable with most LED compatible ELV and TRIAC dimmers. Includes (4) 12" and (2) 6" rigid stems in coordinating finish. Can be installed on a sloped ceiling up to 45°. The arms can rotate to expand fixture width. 32" – 46.5"



Natural Brass

Polished Nickel

## ORDERING INFORMATION

| 700LNG | SHAPE OR SIZE                    | FINISH                                | LAMP   |
|--------|----------------------------------|---------------------------------------|--|
|        | 12A 12-LIGHT ABSTRACT CHANDELIER | NB NATURAL BRASS<br>N POLISHED NICKEL | -LED930 INTEGRATED LED 90 CRI 3000K 120V (T20/T24) |

This product can mount to either a 4" square electrical box with round plaster ring or an octagon electrical box.

700LNG \_\_\_\_\_

JOB NAME \_\_\_\_\_

NOTES \_\_\_\_\_

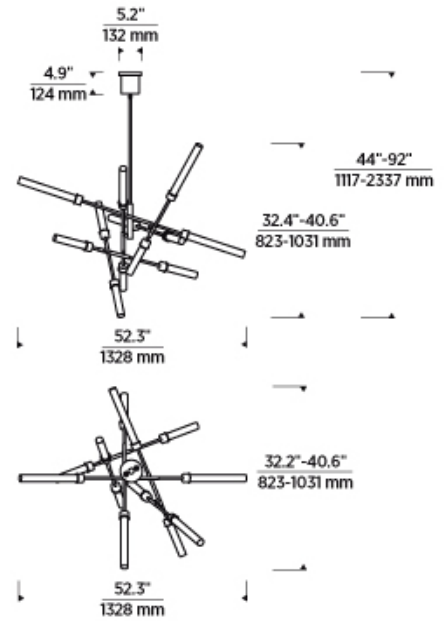
\_\_\_\_\_



# LINGER 12-LIGHT ABSTRACT CHANDELIER

## SPECIFICATIONS

|                               |             |
|-------------------------------|-------------|
| HARDWARE MATERIAL             | Metal       |
| SHADE MATERIAL                | Glass       |
| NET WEIGHT                    | 22 lbs      |
| HEIGHT                        | 40.6in      |
| WIDTH                         | 40.6in      |
| LENGTH                        | 52.3in      |
| UP LIGHT / DOWN LIGHT / BOTH? |             |
| WET LISTED                    |             |
| DAMP LISTED                   | Yes         |
| DRY LISTED                    |             |
| MIN. HANGING HEIGHT           | 44in        |
| MAX HANGING HEIGHT            | 92in        |
| TOTAL CORD LENGTH             |             |
| TOTAL STEM LENGTH             | Up to 60in  |
| STEM QTY                      | 6           |
| SLOPED CEILING ADAPTABLE?     | Yes 45° Max |
| GENERAL LISTING               | ETL Listed  |
| INCLUDES                      |             |



## LAMPING SPECIFICATIONS

|                       | LED LAMP | INTEGRATED LED | NON LED | NO LAMP |
|-----------------------|----------|----------------|---------|---------|
| DELIVERED LUMENS      |          | 4251           |         |         |
| WATTS                 |          | 53.6           |         |         |
| MAX WATTAGE PER BULB  |          | 53.6W          |         |         |
| INPUT VOLTAGE         |          | 120V           |         |         |
| DIMMING TYPE*         |          | ELV, TRIAC     |         |         |
| CCT                   |          | 3000K          |         |         |
| CRI                   |          | 90 CRI         |         |         |
| LED LIFETIME          |          |                |         |         |
| L70                   |          | >50000         |         |         |
| AVERAGE BULB HOURS    |          |                |         |         |
| FIELD SERVICEABLE LED |          |                |         |         |
| LAMP BASE             |          | Integrated LED |         |         |
| LAMP SHAPE            |          | Integrated LED |         |         |
| LAMP INCLUDED?        |          | True           |         |         |
| WARRANTY**            |          | 5 Years        |         |         |

\*Dimming information available at [www.techlighting.com/Downloads#dimming](http://www.techlighting.com/Downloads#dimming)

\*\* Visit [techlighting.com](http://techlighting.com) for specific warranty limitations and details.

## T20 / T24 / JA8 INFORMATION

|  | Integrated LED | Replacement LED Lamp | No Lamp * |
|--|----------------|----------------------|-----------|
| This product can be used to comply with California Building Energy Efficiency Standards 2016 <b>Title 24</b> Part 6 / <b>JA8</b> .                   | Yes            |                      |           |
| This product can be used to comply with California Appliance Efficiency Standards 2016 <b>Title 20</b> and may be shipped to and sold in California. | N/A            |                      |           |

\* If a light fixture or component does not include a lamp or light source, it is the responsibility of the customer to select a lamp that meets the T24 and T20 requirements.

