

PALONA PENDANT

PRODUCT FEATURES

- Flawlessly hand-blown in the European tradition
- Multiple shade color options as well as modern finish options
- Ships with 6 feet of field-cuttable cable
- Ideal for dining rooms, home offices and foyers
- Protected by a 1-year warranty, please visit the "About Us" Page on techlighting.com for more for warranty details



LAMPING

Rated for (1) 60 watt max, E26 medium based lamp (Lamp Not Included). Clear & Smoke Glass. LED Replacement version includes 120 volt 9 watt, 684 delivered lumen, 3000K-2200K warm color dimming LED module. Clear & Smoke Glass. LED Integrated version includes 3.5 watt, 250 delivered lumen, 2700K, LED E26 medium base ST19 lamp . White Glass. LED Replacement version includes 9.5 watt, 800 delivered lumen, 2700K, LED E26 medium base A19 lamp. Fixture provided with six feet of field-cuttable cable. Dimmable with most LED compatible ELV and TRIAC dimmers.

Smoke / Satin Nickel
LED



Clear / Aged Brass Incandescent Clear / Aged Brass LED Clear / Satin Nickel Incandescent Clear / Satin Nickel LED

To view all available finish options, please visit techlighting.com

ORDERING INFORMATION

700	SYSTEM	PLNP	COLOR	FINISH	LAMP
	TD LINE-VOLTAGE PENDANTS/SUSPENSION		C CLEAR K SMOKE W WHITE	R AGED BRASS S SATIN NICKEL	NO LAMP -LED927 A19 LED 90 CRI 2700K 120V (T20/T24) -LED927 ST19 LED 90 CRI 2700K 120V -LEDWD LED WARM DIM 3000K - 2200K 120V

700 _____ PLNP _____

JOB NAME _____

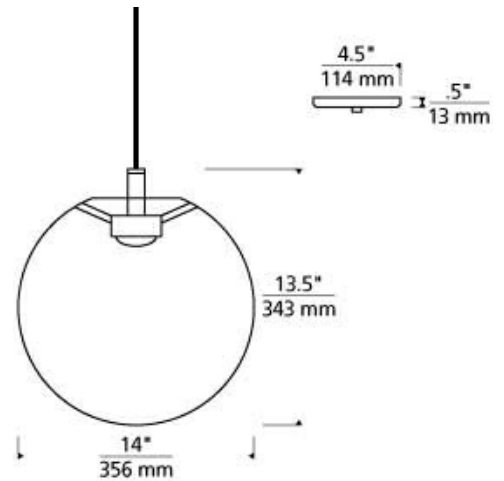
NOTES _____



PALONA PENDANT

SPECIFICATIONS

HARDWARE MATERIAL	Metal
SHADE MATERIAL	Glass
NET WEIGHT	7.5 lbs
HEIGHT	13.5in
WIDTH	14in
LENGTH	14in
UP LIGHT / DOWN LIGHT / BOTH?	
WET LISTED	
DAMP LISTED	Yes
DRY LISTED	
MIN. HANGING HEIGHT	20in
MAX HANGING HEIGHT	86in
TOTAL CORD LENGTH	72in
TOTAL STEM LENGTH	
STEM QTY	
SLOPED CEILING ADAPTABLE?	Yes 45° Max
GENERAL LISTING	ETL Listed
INCLUDES	



LAMPING SPECIFICATIONS

	LED LAMP	INTEGRATED LED	NON LED	NO LAMP
DELIVERED LUMENS	Clear, Smoke : 250 White : 800	684		
WATTS	Clear, Smoke : 3.5W White : 9.5W	9		
MAX WATTAGE PER BULB	3.5W	9W	60W	
INPUT VOLTAGE	120V	120V	120V	
DIMMING TYPE*	ELV, TRIAC	ELV, TRIAC	ELV, TRIAC	
CCT	2700K	3000K-2200K		
CRI	90 CRI	90 CRI		
LED LIFETIME				
L70	25000	>50000		
AVERAGE BULB HOURS				
FIELD SERVICEABLE LED				
LAMP BASE	E26 Medium Base	Integrated LED	E26 Medium Base	
LAMP SHAPE	Clear, Smoke : ST19 White : A19	Integrated LED	A19	
LAMP INCLUDED?	True	True	False	
WARRANTY**	1 Year	5 Years	1 Year	

*Dimming information available at www.techlighting.com/Downloads#dimming

** Visit techlighting.com for specific warranty limitations and details.

T20 / T24 / JA8 INFORMATION

	Integrated LED	Replacement LED Lamp	No Lamp *
This product can be used to comply with California Building Energy Efficiency Standards 2016 Title 24 Part 6 / JA8.	Yes		
This product can be used to comply with California Appliance Efficiency Standards 2016 Title 20 and may be shipped to and sold in California.	No		

* If a light fixture or component does not include a lamp or light source, it is the responsibility of the customer to select a lamp that meets the T24 and T20 requirements.

