

Prism Glass Shield



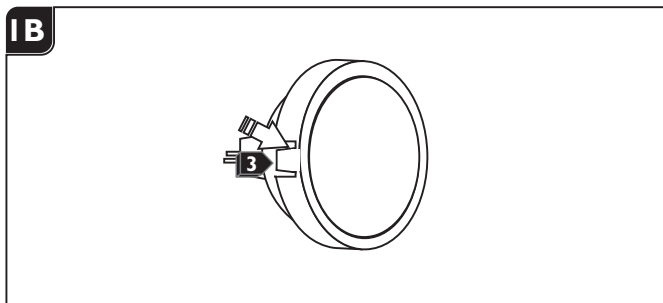
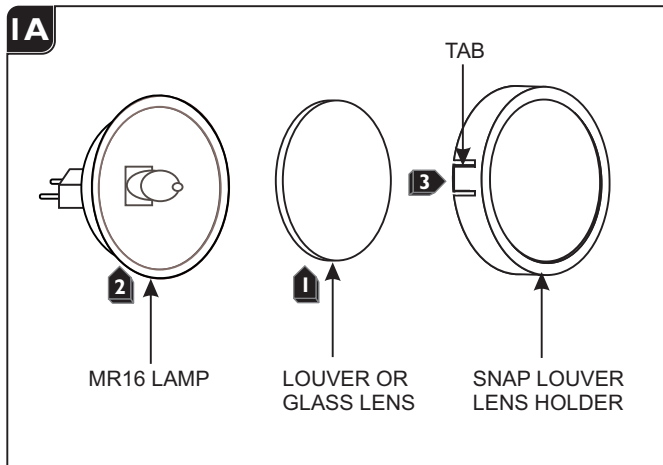
ACCESSORIES

GENERAL PRODUCT INFORMATION:

This product is suitable for dry locations only.

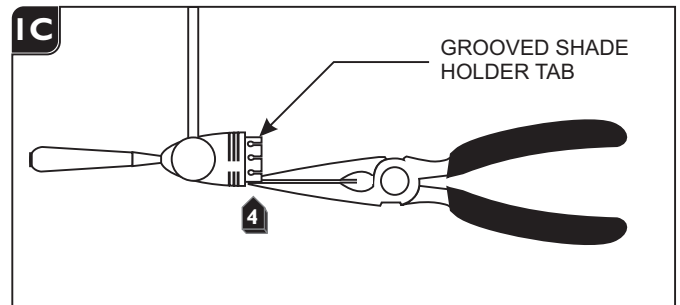


Installing the Prism Glass Shield

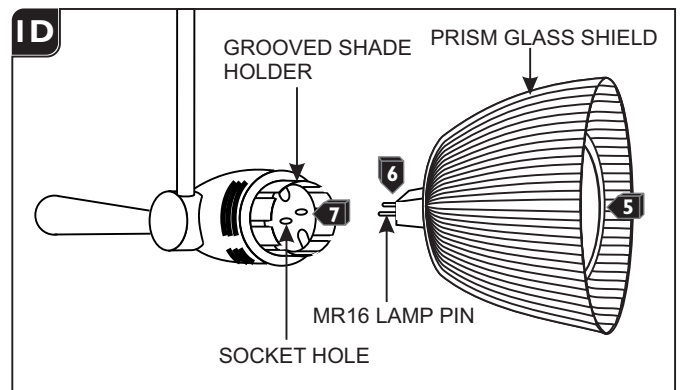


Use **MAX 50 Watt** type MR16 Front Cover Halogen Lamp.

- 1** Place the louver or the glass lens (optional) into the Snap Louver Lens Holder.
- 2** Place the MR16 lamp into the Snap Louver Lens Holder.
- 3** Press the tabs on both sides of the Snap Louver Lens Holder against the MR16 lamp to keep it in the position.



- 4** If the Prism glass shield fits tight onto the fixture, then carefully bend the grooved shade holder tabs in slightly with the needlenose pliers. If it fits loose, then carefully bend the grooved shade holder tabs out slightly with the needlenose pliers.



- 5** Place the Snap Louver Lens Holder assembly into the Prism glass shield.
- 6** Line the lamp pins up with the fixture socket holes.
- 7** Insert the lamp pins into the socket holes; simultaneously push the Prism glass shield onto the grooved shade holder.

SAVE THESE INSTRUCTIONS!

 **TECH LIGHTING®**

7400 Linder Ave, Skokie, IL 60077

847.410.4400

www.techlighting.com

© 2020 Tech Lighting, L.L.C. All rights reserved.

Visual Comfort & Co.