

Gambit Wall & Gambit Triple Wall

700WSGMBSC_700WSGMBTC_ 1.0



WALL COLLECTION

GENERAL PRODUCT INFORMATION:

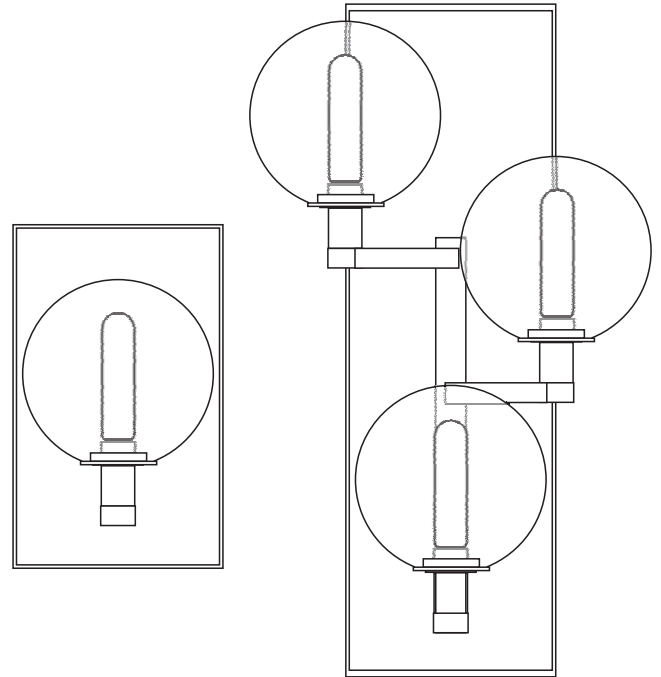
This product is suitable for damp locations.

These fixtures are intended to be installed utilizing NEC compliant junction boxes.

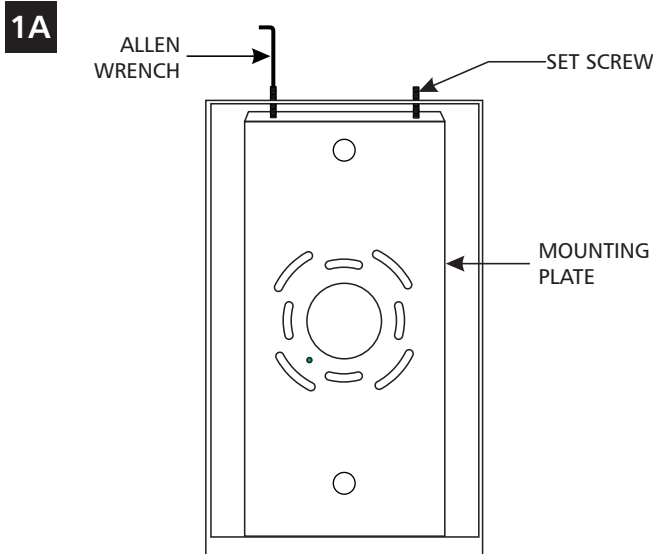
This product can be dimmed with a LED or TRIAC dimmer. Consult lamp manufacturer for additional information.



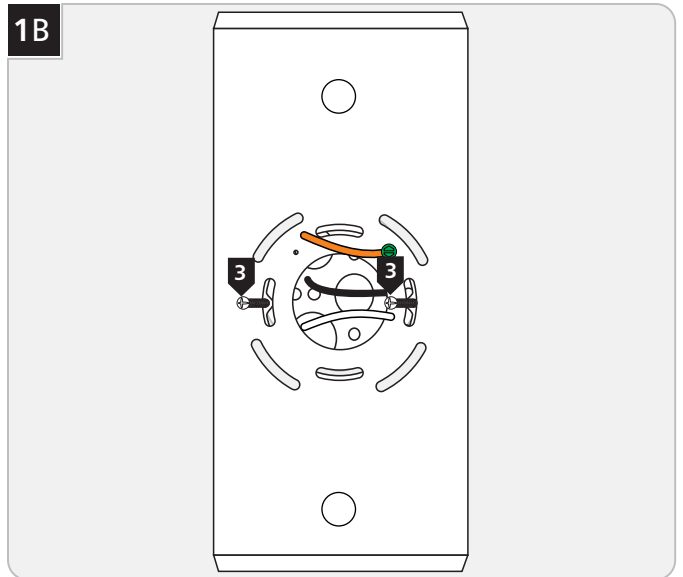
CAUTION - RISK OF FIRE
 This product must be installed in accordance with the applicable installation code by a person familiar with the construction and operation of the product and the hazards involved.
 Use minimum 90°C supply conductors.



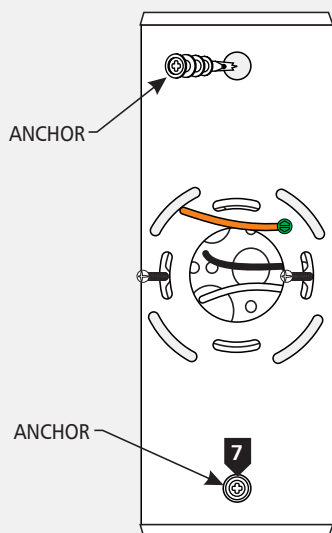
Install the Fixture



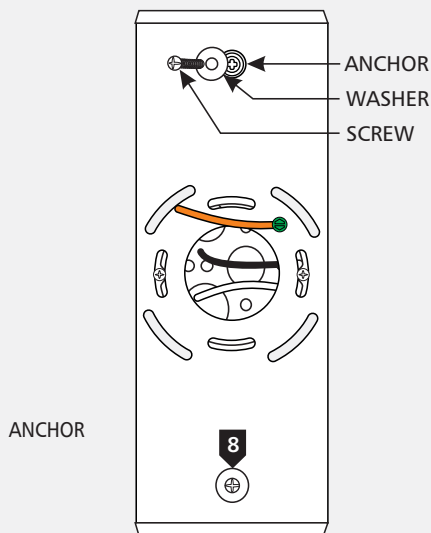
- 1** With the Allen wrench provided, back out (do not fully remove) the set screw at the base of the fixture.
- 2** Remove the mounting plate from the back of the fixture.



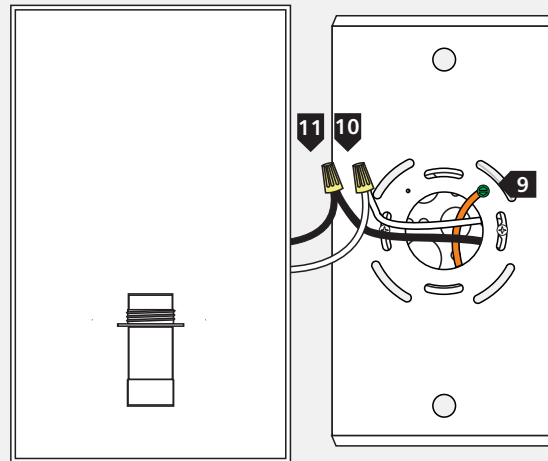
- 3** Level the mounting plate and secure it to the electrical box with the two #8-32 screws provided.

1C

- 4** Verify that the mounting plate is level before continuing.
- 5** Line an anchor tip with the center of an anchor hole, and push the anchor into the wall up to the threads.
- 6** Screw the anchor in the rest of the way with a Phillips-head screwdriver.
- 7** Repeat for the other anchor hole.

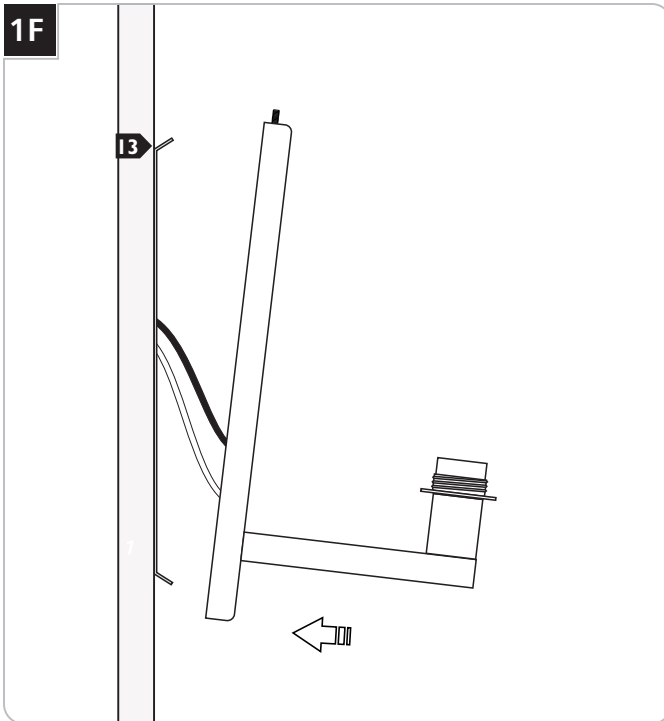
1D

- 8** Slide a #8 screw through a washer, and screw it into an anchor to secure the fixture base to the wall. Repeat for the other anchor.

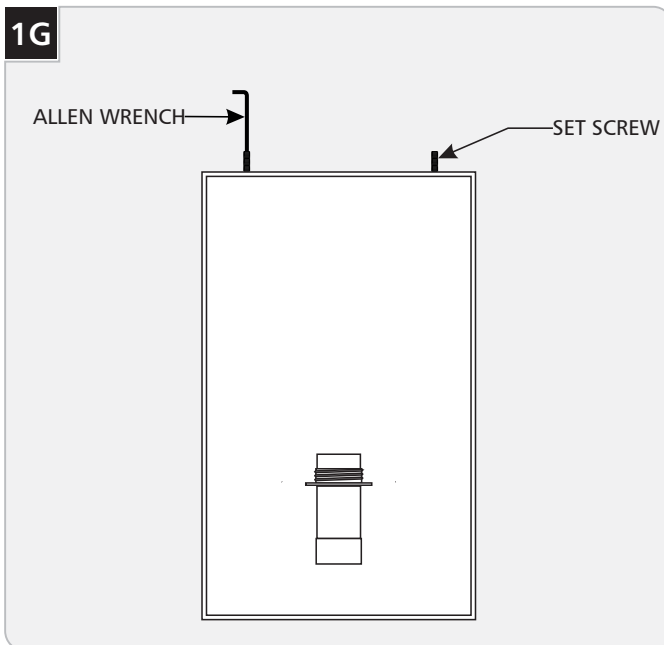
1E

- 9** Connect the mounting plate ground wire to a suitable ground according to local electrical codes.
- 10** Connect the white fixture wire to the neutral power line wire with a wire nut.
- 11** Connect the black fixture wire to the hot power line wire with a wire nut.

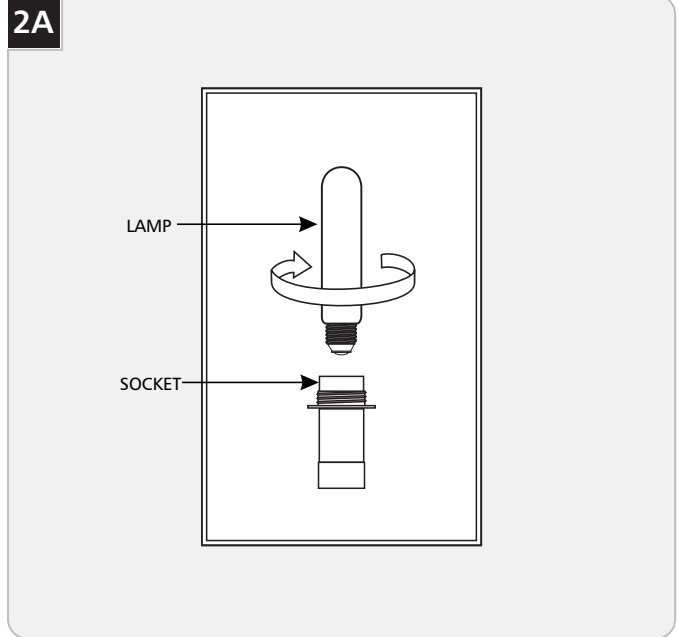
Install the Lamp and Diffuser



- 12** Properly place all wires and wire nut connections into the electrical box.
- 13** Hook the top of the fixture to the bottom of the mounting plate and swing the top of the fixture toward the plate until it is flush with the wall.



- 14** With the allen wrench, tighten the set screws at the top of the fixture to secure it to the mounting plate.

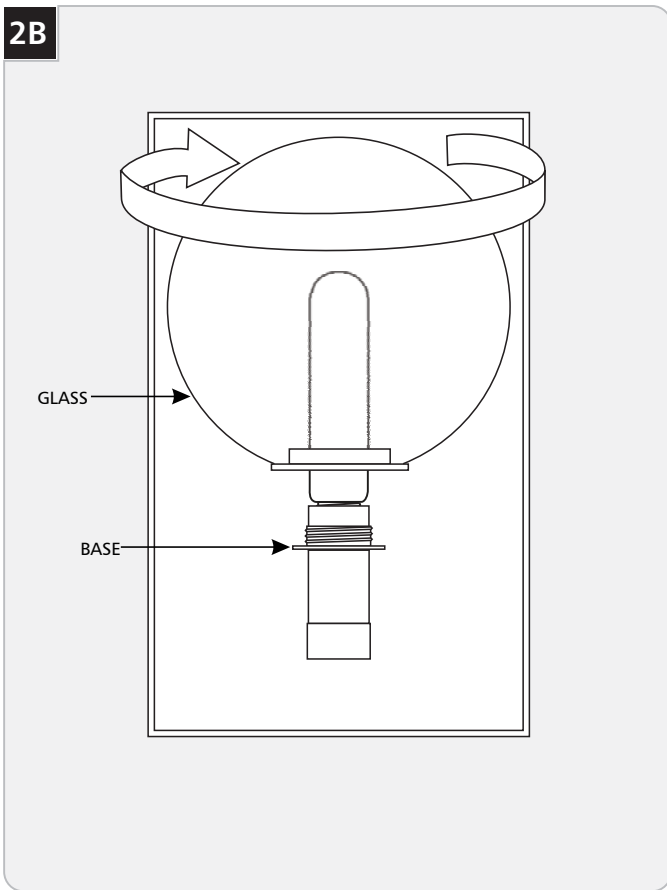


CAUTION: To reduce the risk of a burn or electric shock during relamping, disconnect the power to the fixture.

Refer to fixture marking for lamp information

- 1** Screw the lamp into the socket.

2B



CAUTION: DO NOT OVER TIGHTEN the glass. This may break the glass resulting in injury.

2 Gently screw the glass onto it's base.

SAVE THESE INSTRUCTIONS!



TECH LIGHTING®

7400 Linder Ave, Skokie, IL 60077

847.410.4400

www.techlighting.com

© 2017 Tech Lighting, L.L.C. All rights reserved. The "Tech Lighting" graphic is a registered trademark of Tech Lighting, L.L.C. Tech Lighting reserves the right to change specifications for product improvements without notification.

A Generation Brands Company