

Cosmo Compact Fluorescent

700WSCOS_-CF

1.2

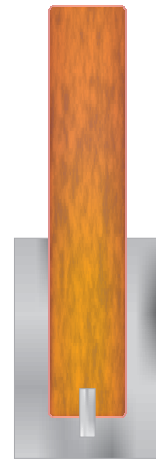


GENERAL PRODUCT INFORMATION:



This product can mount to either a 4" square electrical box with round plaster ring or an octagon electrical box.

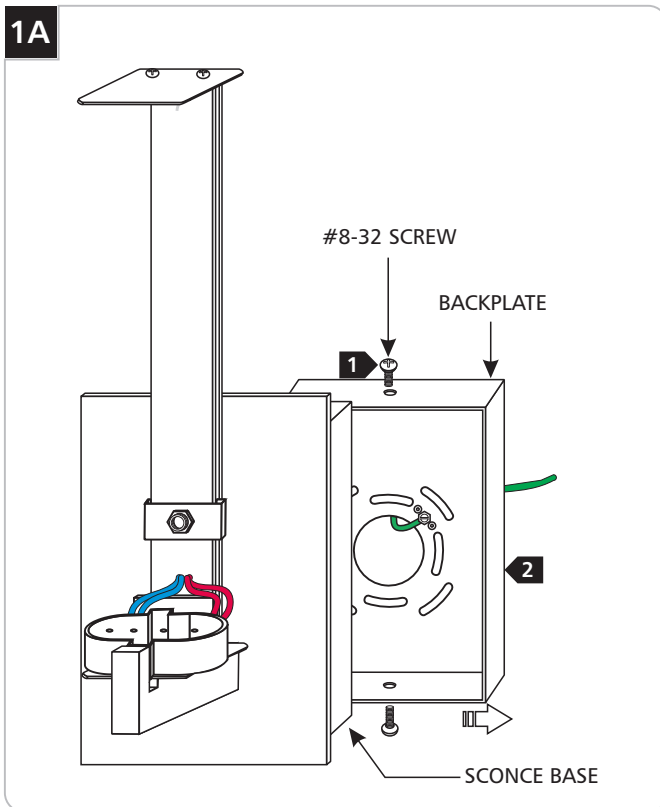
This product is suitable for damp locations.



CAUTION — RISK OF FIRE

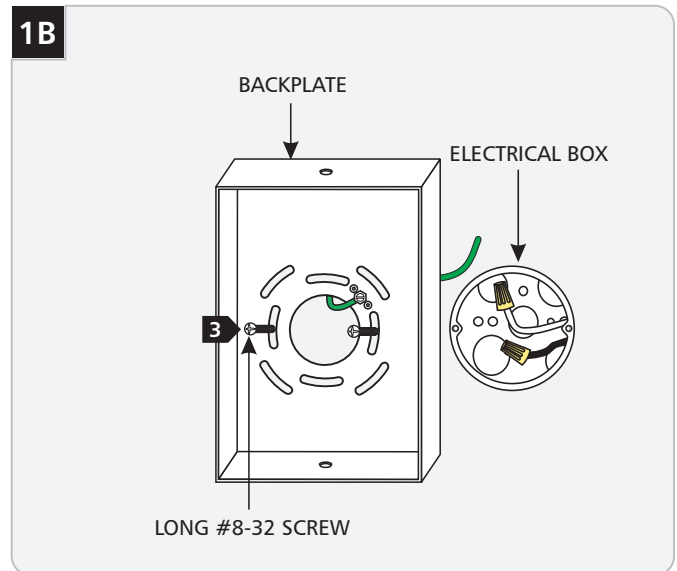
This product requires installation by a qualified electrician. Before installing be sure to read all instructions and **TURN THE POWER TO THE ELECTRICAL BOX OFF.**

Install the Backplate



1 Remove the two #8-32 screws on the backplate with a Phillips head screwdriver.

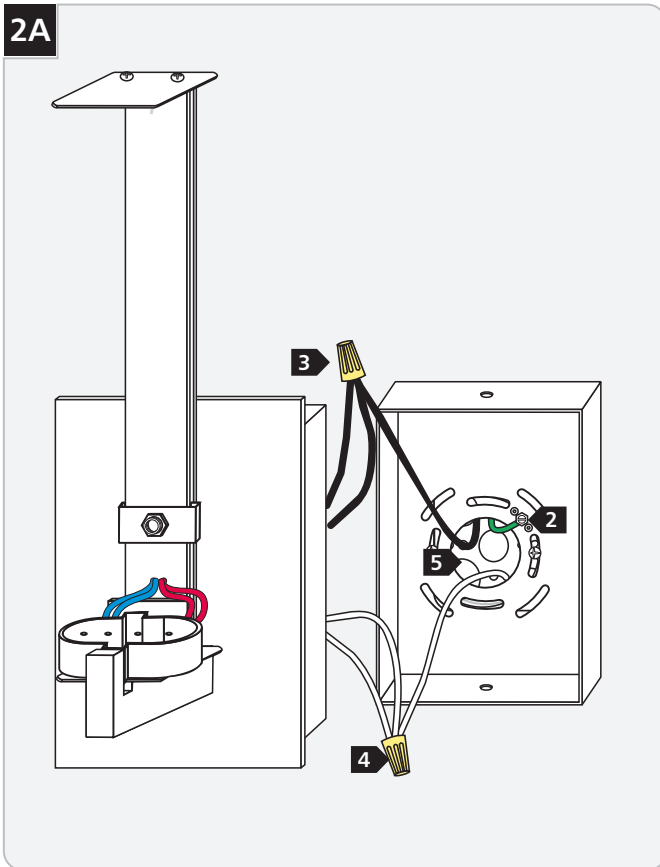
2 Remove the backplate from the sconce base.



3 Mount the backplate to the electrical box with two long #8-32 screws.

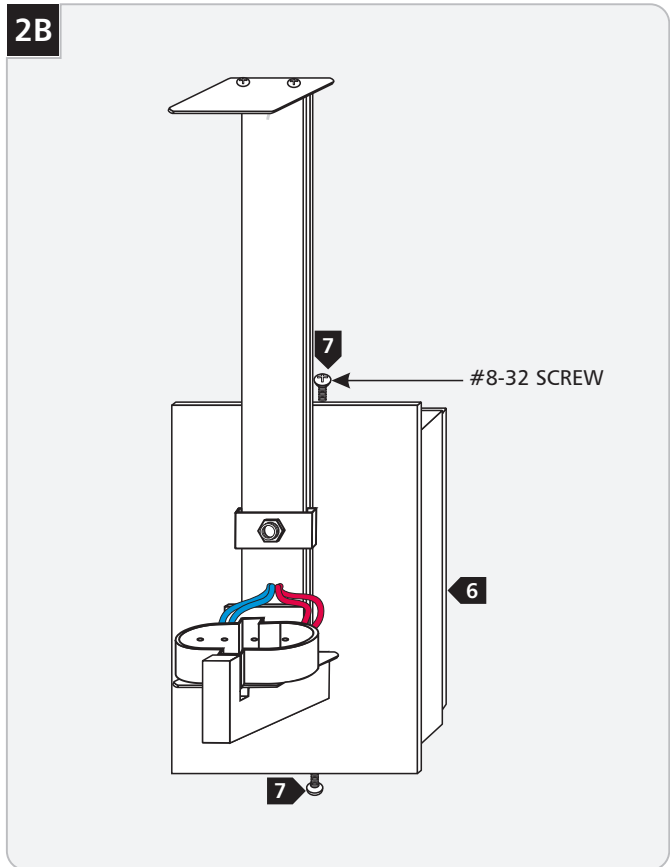
Connect the Power

2A



- 1 Turn the power to the electrical box off.
- 2 Make sure that the backplate is grounded in accordance with local electrical codes.
- 3 Connect the black fixture wire to the hot power line wire with a wire nut.
- 4 Connect the white fixture wire to the neutral power line wire with a wire nut.
- 5 Properly place all wires into the backplate.

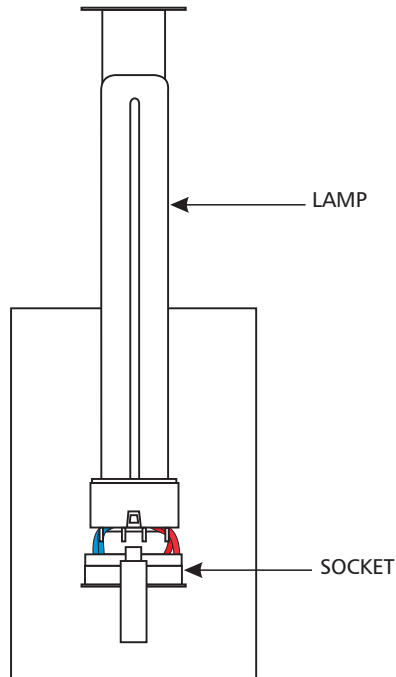
2B



- 6 Place the sconce base onto the backplate and align the holes.
- 7 Replace and tighten the #8-32 screws.

Install the Lamp and Shade

3A



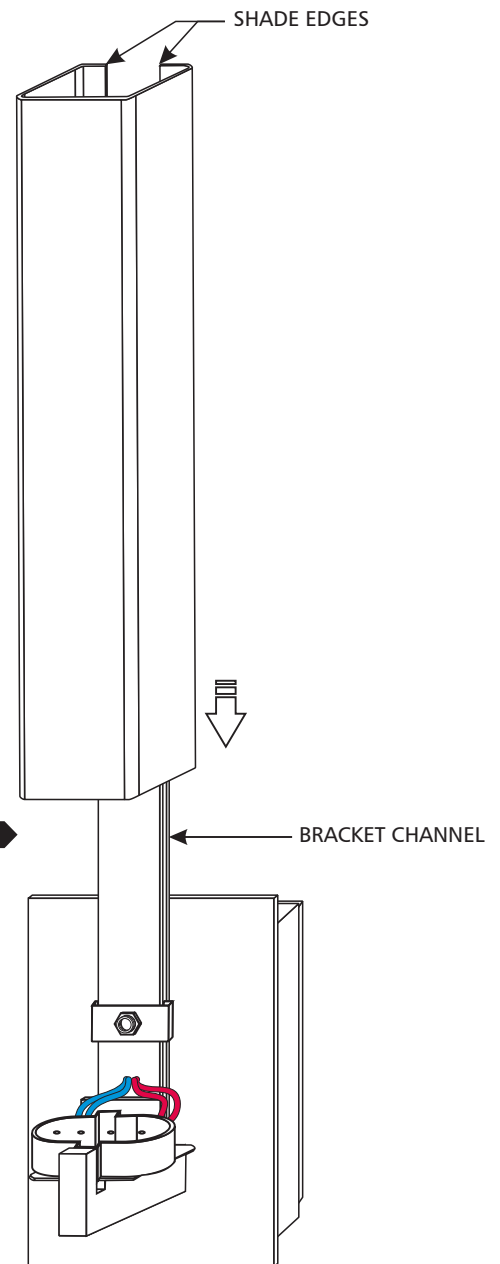
CAUTION: To reduce the risk of a burn or electric shock during relamping, disconnect the power to the fixture by turning the wall switch off.

Use **MAX 18** Watt Type T5, Twin Tube, 2G11 Base Compact Fluorescent Lamp.



- 1 Push the lamp pins completely into the socket holes.

3B



- 2 From top of the sconce carefully slide the shade edges into the bracket channels.

SAVE THESE INSTRUCTIONS!



7400 Linder Ave, Skokie, IL 60077

847.410.4400

www.techlighting.com

© 2008 Tech Lighting, L.L.C. All rights reserved. The "Tech Lighting" graphic is a registered trademark of Tech Lighting, L.L.C. Tech Lighting reserves the right to change specifications for product improvements without notification.

A Generation Brands Company