



STANDOFFS

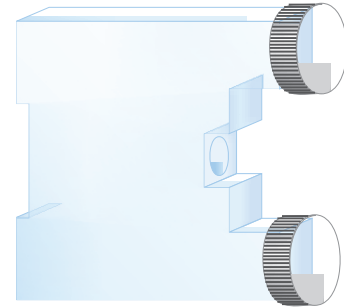
GENERAL PRODUCT INFORMATION:



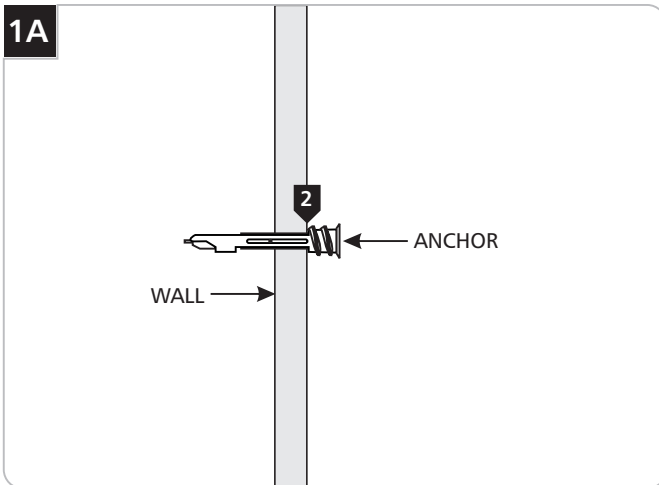
This product is suitable for indoor dry locations only.

This product must be used with Tech Lighting Wall MonoRail system only.

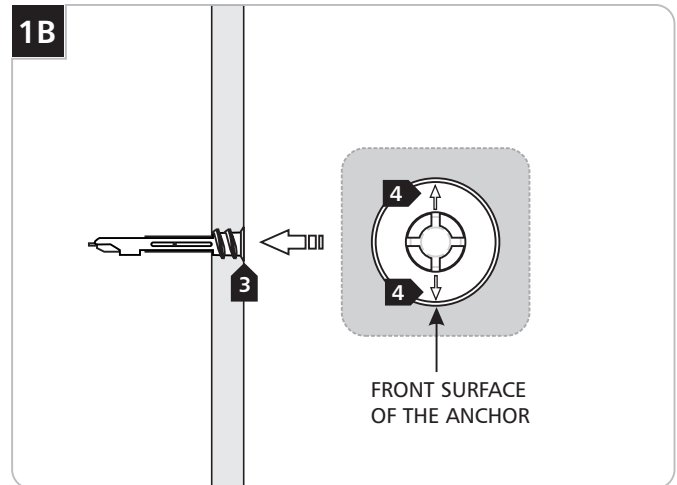
Use standoffs every three feet of Wall MonoRail run, at the corners and where the two rails join together.



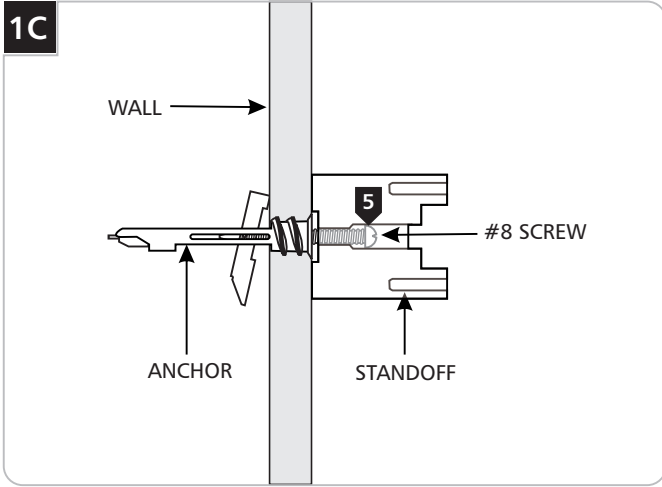
Install the Standoff



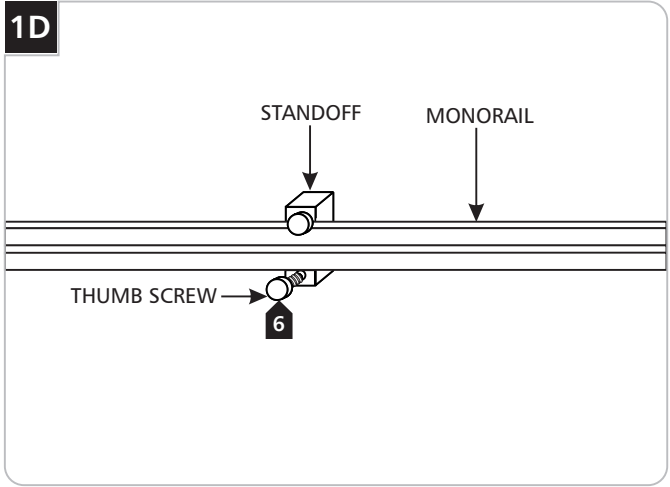
- 1 Mark the standoff location points onto the wall.
- 2 Tap the anchor at the marked point into the wall up to the threaded portion with a hammer.



- 3 Screw the anchor in the rest of the way with a Phillips screwdriver.
- 4 Slightly turn the anchor clockwise so that the arrows on front surface position up and down.



5 Screw the standoff onto the anchor with the #8 screw.



6 Place the MonoRail into the standoff slot. Use the thumb screws to secure the MonoRail to the standoffs.

SAVE THESE INSTRUCTIONS!



7400 Linder Ave, Skokie, IL 60077
847.410.4400

www.techlighting.com

© 2008 Tech Lighting, L.L.C. All rights reserved. The "Tech Lighting" graphic is a registered trademark of Tech Lighting, L.L.C. Tech Lighting reserves the right to change specifications for product improvements without notification.
A Generation Brands Company