

Kosa 18 Pendant

700TDKOSA18_ 1.0



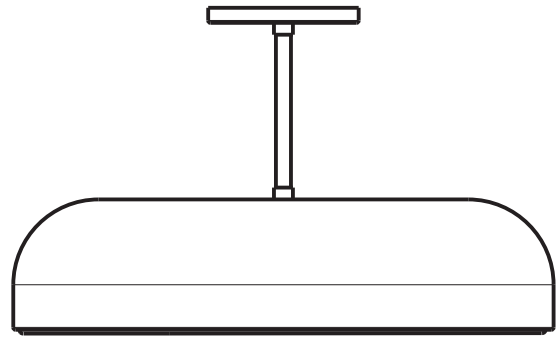
GENERAL PRODUCT INFORMATION: 

These fixtures are intended to be installed utilizing NEC compliant junction boxes.

This product is suitable for damp locations.

This product can be dimmed with most ELV or TRIAC dimmers.

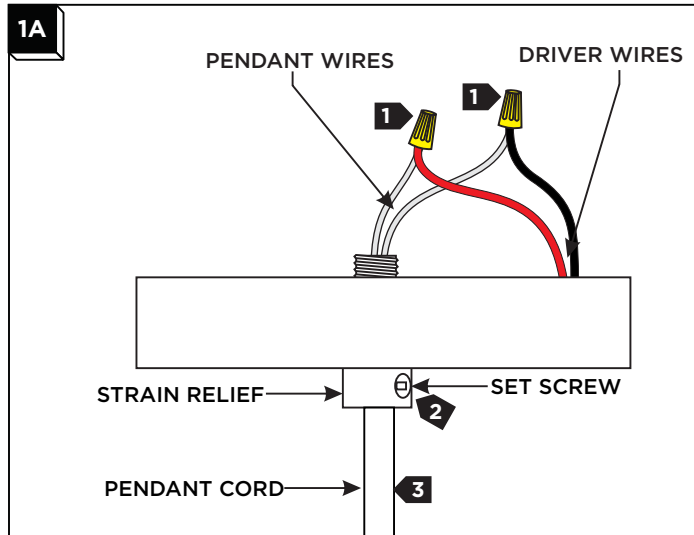
This instruction shows a typical installation.



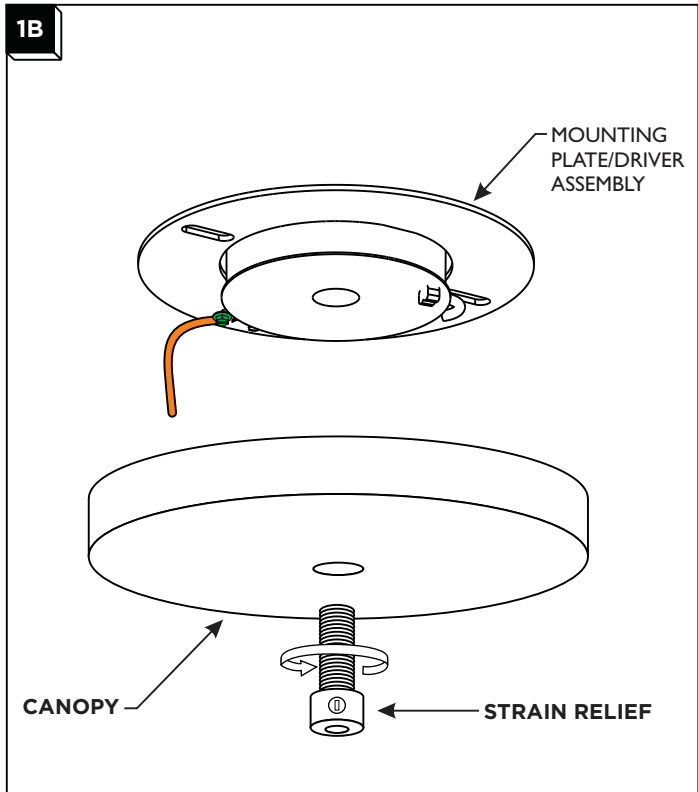
CAUTION - RISK OF FIRE
 This product must be installed in accordance with the applicable installation code by a person familiar with the construction and operation of the product and the hazards involved.
Use minimum 90°C supply conductors.

SAVE THESE INSTRUCTIONS!

Install the Pendant

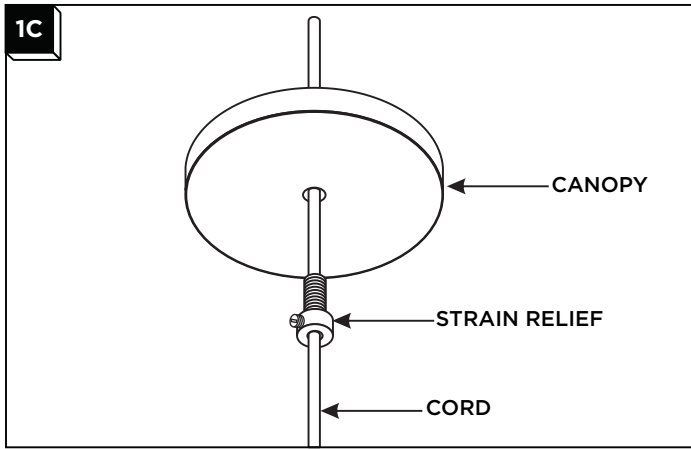


- 1** Take note of the wire connections and disconnect the pendant wires from the driver wires by removing the wire nuts.
- 2** Loosen (Do Not Remove) the set screw on the strain relief.
- 3** Carefully pull the pendant cord out of the strain relief.

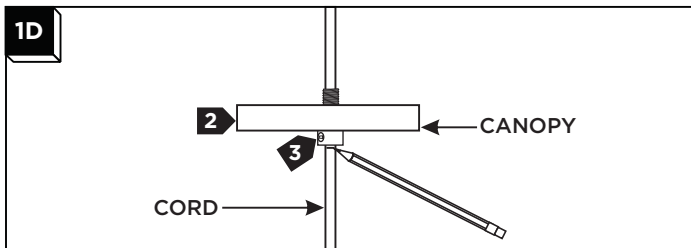


- 4** Remove the mounting plate/driver assembly from the canopy by completely unscrewing the strain relief.

Install the Canopy



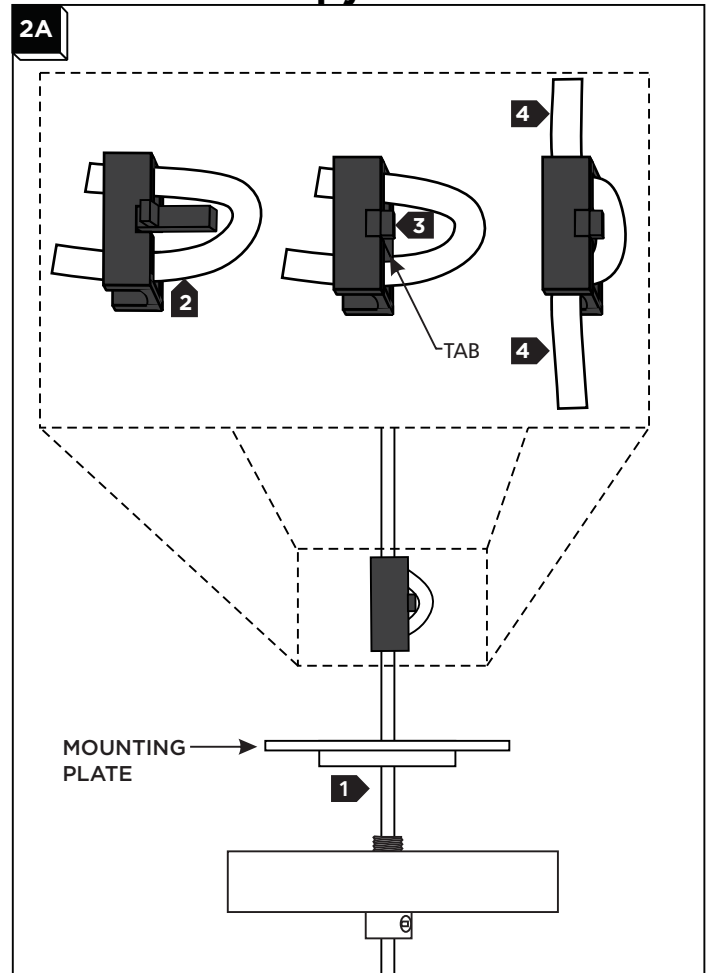
5 Feed the cord through the primary strain relief and



6 Adjust the fixture height (from bottom of the fixture shade to top of the canopy) by moving the canopy and strain relief up or down.

7 When the desired height is achieved, tighten the set screw on the strain relief.

8 Mark the cord underneath the strain relief.

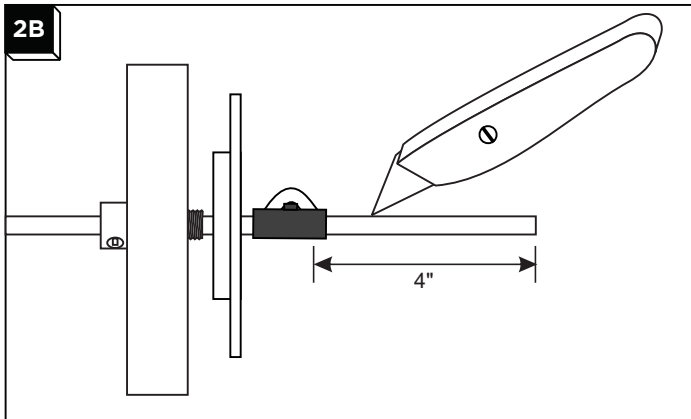


1 Feed the fixture cord through the mounting plate/driver assembly.

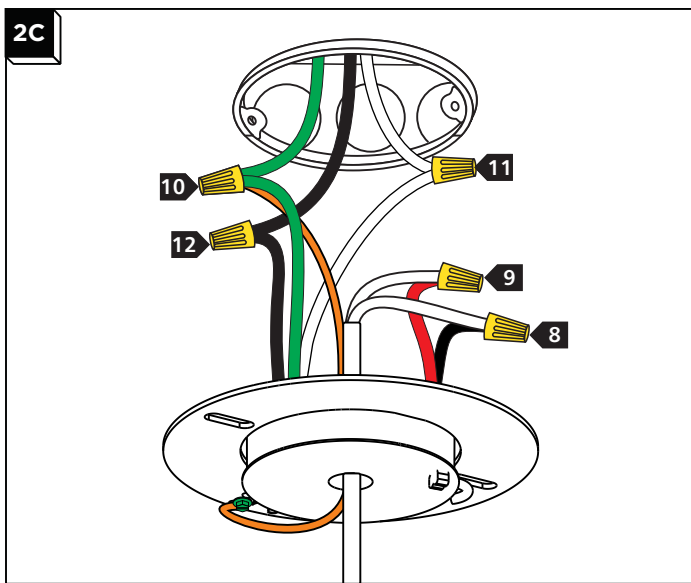
2 Install the secondary strain relief by first feeding the cord through it.

3 Snap the strain relief tab into place.

4 Pull the cord to take up the slack and fit the rest of the cord in the strain relief's openings.

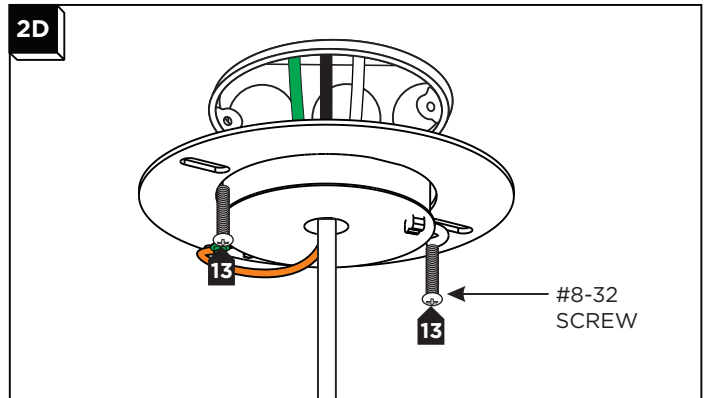


- 5 Leave 6" of the cord behind the canopy for power connections. Cut the excess cord.
- 6 From the end of the cord, strip the insulation 4" using a sharp knife. Make sure not to nick the inner wires.
- 7 Strip the end of the wires.

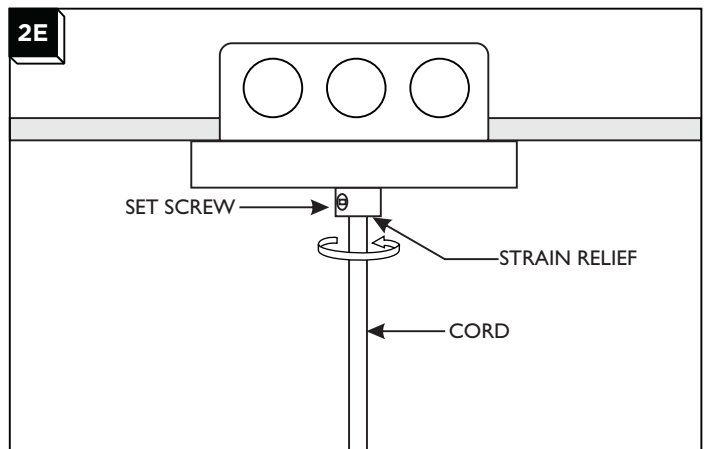


NOTE: It is recommended that one person hold the fixture while the electrician finishes the installation.

- 8 Re-connect the negative (black) driver wire to the pendant wire with white tracer with a wire nut.
- 9 Re-connect the positive (red) driver wire to the remaining pendant wire with a wire nut.
- 10 Ground the fixture in accordance with local electrical codes.
- 11 Connect the white driver wire to the neutral power line wire with a wire nut.
- 12 Connect the black driver wire to the hot power line wire with a wire nut.

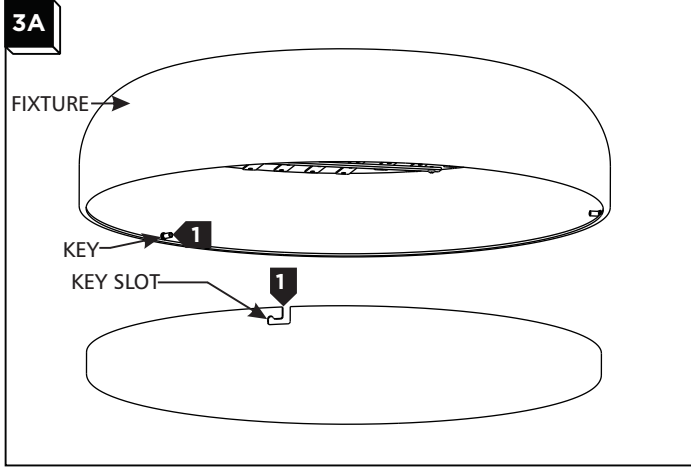


- 13 Properly place all wires and wire nut connections into the junction box and mount the mounting plate/driver assembly to the electrical box with the two provided #8-32 screws.



- 14 Loosen the set screw on the primary strain relief.
- 15 Align the canopy center hole with the crossbar center hole.
- 16 Slide the canopy up against the ceiling and secure it in place by tightening the primary strain relief into the crossbar. Do not turn the cord.
- 17 Push the cord into the canopy and line up the marked point on the cord with bottom of the primary strain relief.
- 18 Tighten the plastic set screw to secure the cord.

Install the Diffuser



- 1 Alining the key slots on the diffuser to the keys on the fixture, slide the diffuser on then rotate it to lock in place.

 **TECH LIGHTING**

7400 Linder Ave., Skokie, IL 60077
T 847.410.4400 | F 847.410.4500
www.techlighting.com