

Hudson Pendant

700T_HUDP_

1.5



GENERAL PRODUCT INFORMATION:

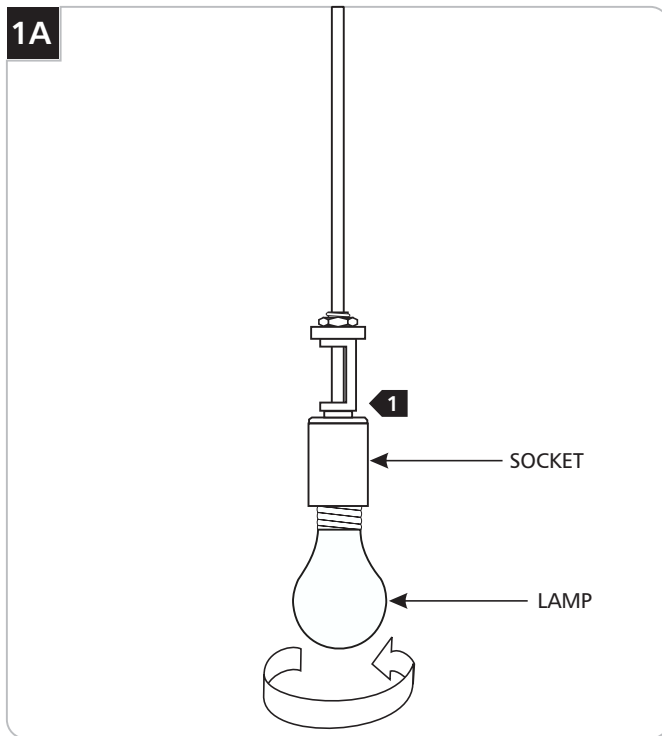


This product is suitable for damp locations.

This product can be dimmed with a LED or TRIAC dimmer. Consult lamp manufacturer for additional information.



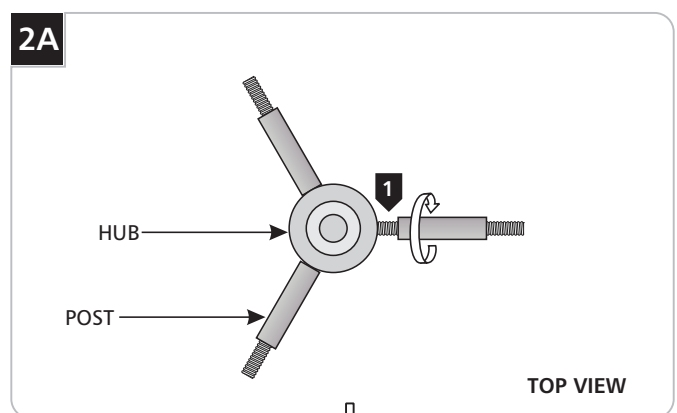
Installing the Lamp



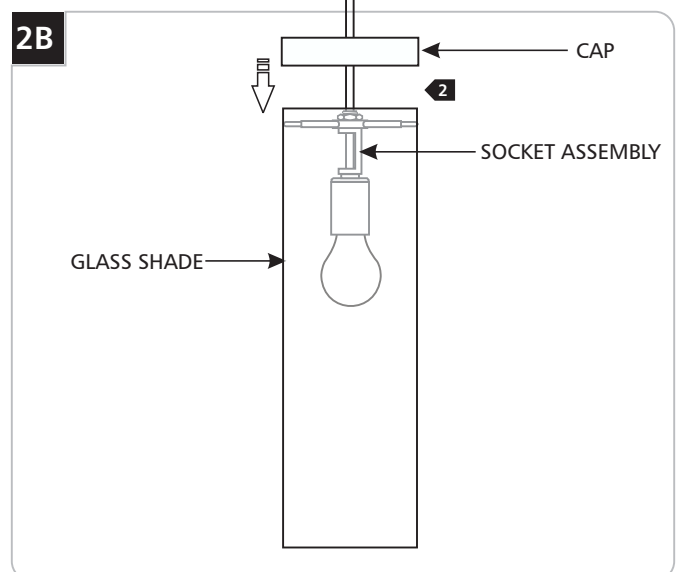
Refer to fixture marking for lamp information.

- 1** Screw the lamp completely into the socket.

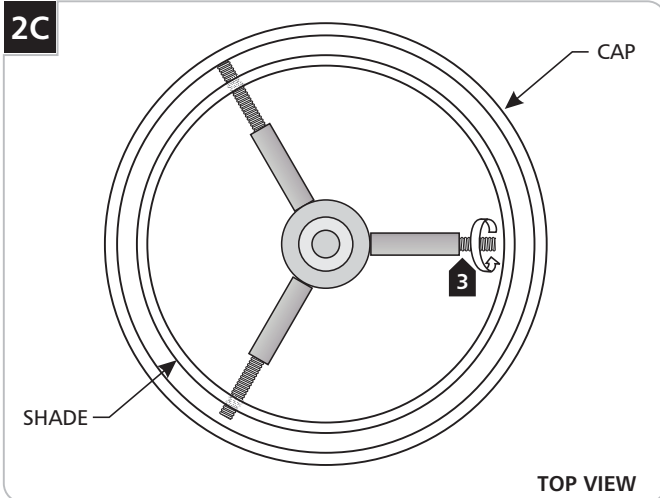
Assemble the fixture



- 1** Screw the three posts completely into the hub.



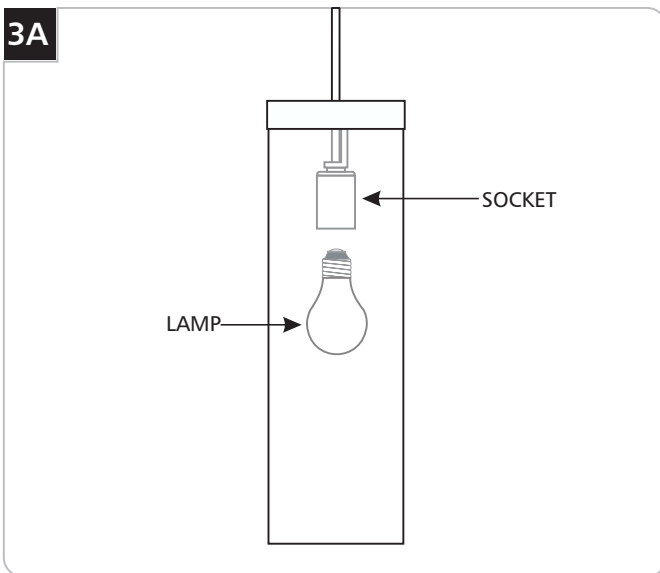
- 2** Place the socket assembly into the glass shade then place the cap on top of the glass shade.



3 Align the posts with the holes in the shade.

Unscrew the threaded studs until they are completely through the shade.

Replace the Lamp



CAUTION: To reduce the risk of a burn or electric shock during re-lamping, disconnect the power to the fixture.

Refer to fixture marking for lamp information.

1 While holding the shade, unscrew the old lamp out of the socket.

2 Screw the new lamp completely into the socket.

SAVE THESE INSTRUCTIONS!



7400 Linder Ave, Skokie, IL 60077
847.410.4400

www.techlighting.com

© 2017 Tech Lighting, L.L.C. All rights reserved. The "Tech Lighting" graphic is a registered trademark of Tech Lighting, L.L.C. Tech Lighting reserves the right to change specifications for product improvements without notification.
A Generation Brands Company