

Fett Suspension

700TDFETP_ 1.0



GENERAL PRODUCT INFORMATION:

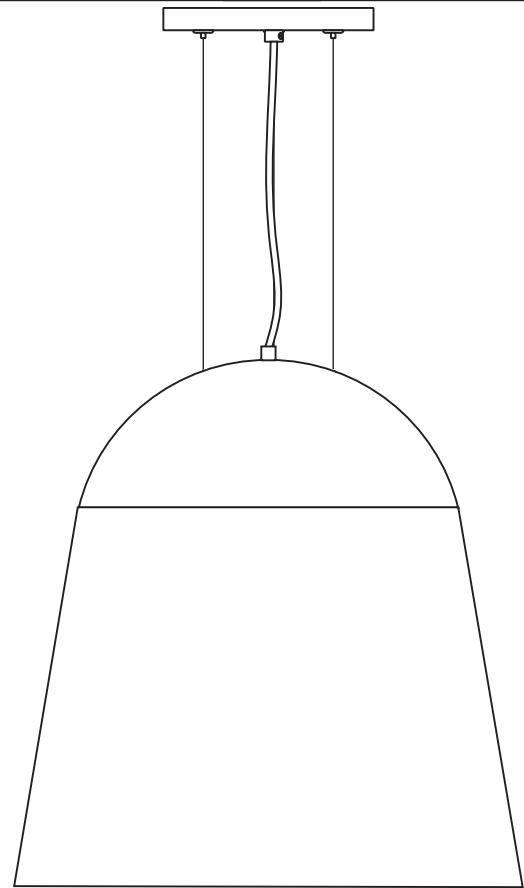


This product can mount to either a 4" square electrical box with a round plaster ring or an octagon electrical box.

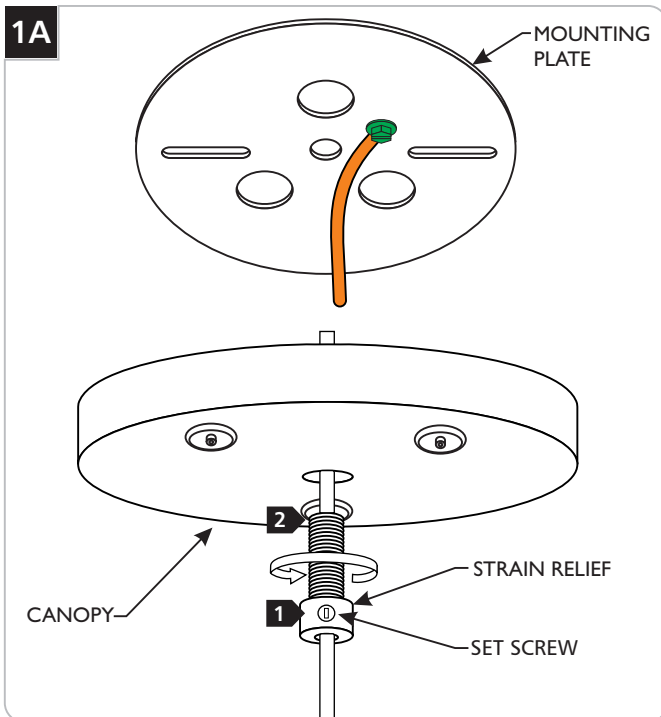
This product is suitable for damp locations.

This instruction shows a typical installation.

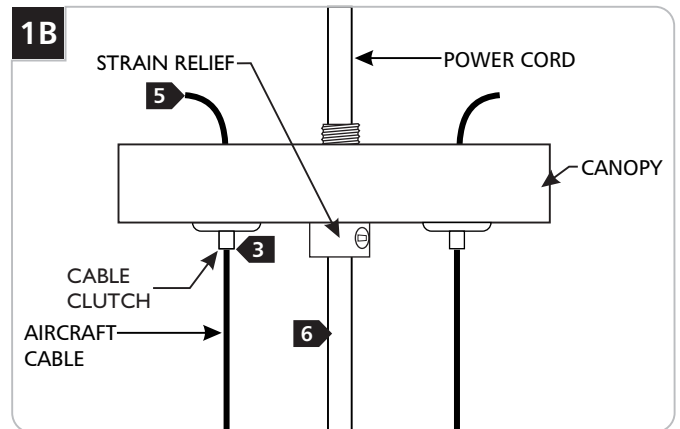
CAUTION - RISK OF FIRE
 This product must be installed in accordance with the applicable installation code by a person familiar with the construction and operation of the product and the hazards involved.
 Use minimum 90°C supply conductors.



Shorten the Power Cord

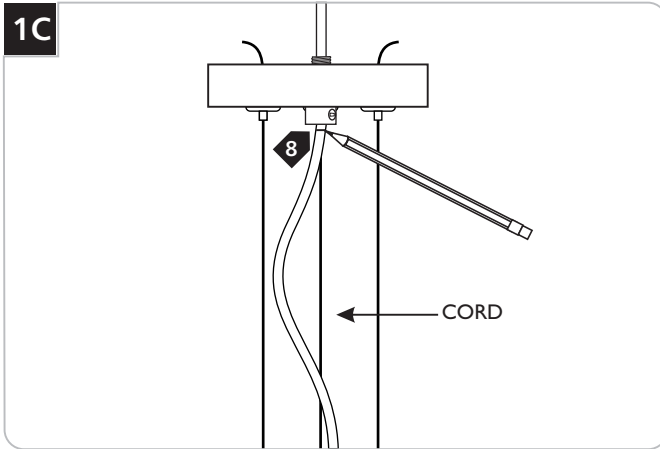


- 1** Loosen (**Do Not Remove**) the set screw on the strain relief.
- 2** Remove the crossbar from the canopy by completely unscrewing the strain relief.



- 3** Feed the aircraft cable through the cable clutch in the canopy.
- 4** Pull the aircraft cable up through the canopy to determine the fixture height.
- 5** Cut off the excess aircraft cable leaving enough for fine leveling later.
- 6** Pull the power cord through the canopy to the desired length.

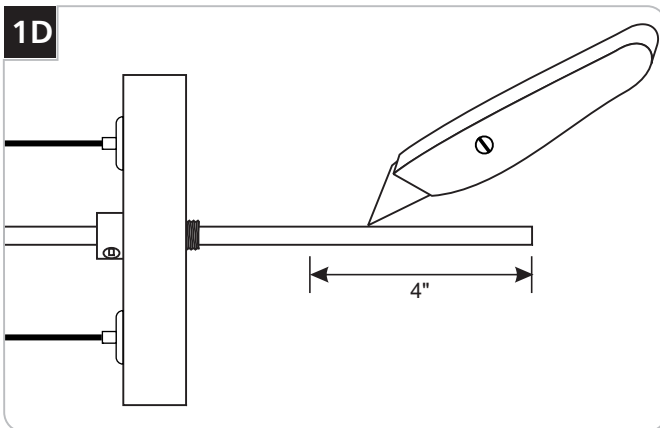
Install the Fixture



NOTE: The power cord does not support the fixture. For a casual “lazy cord” look, cut the power cord several inches longer than the drop height of the fixture.

7 Once the desired look is determined, tighten the set screw on the strain relief.

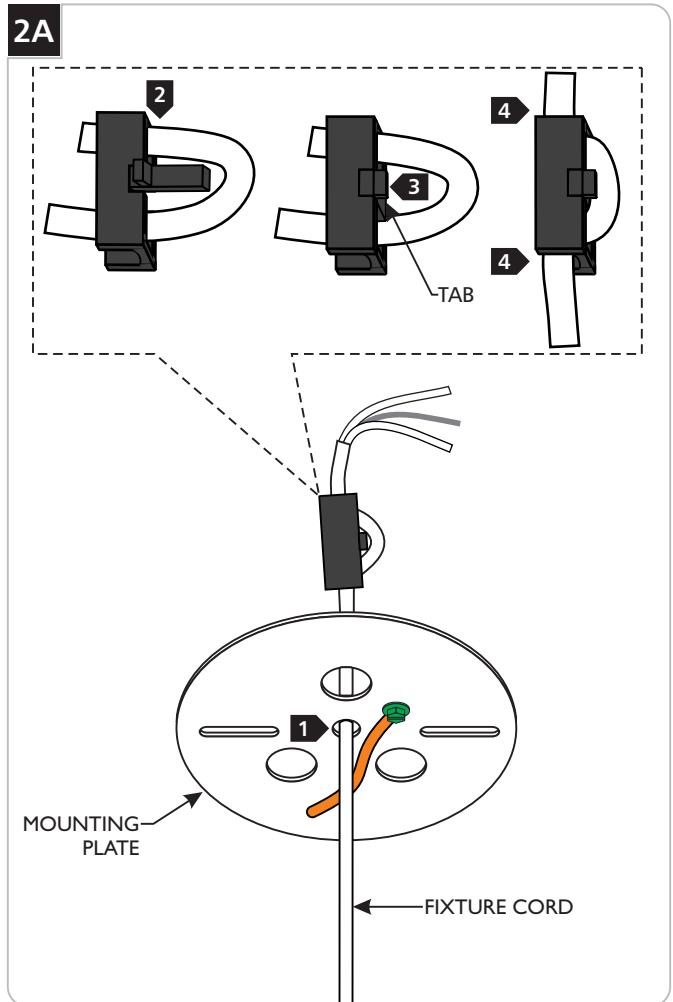
8 Mark the cord underneath the strain relief.



9 Leave 6" of the cord behind the canopy for power connections. Cut the excess cord.

10 From the end of the cord, strip the insulation 4" using a sharp knife. **Make sure not to nick the inner wires.**

11 Strip the end of the wires.



1 Feed the fixture cord through the mounting plate center hole. **Note:** If the cord has a cloth cover, peel back or remove the cloth where the secondary strain relief is installed.

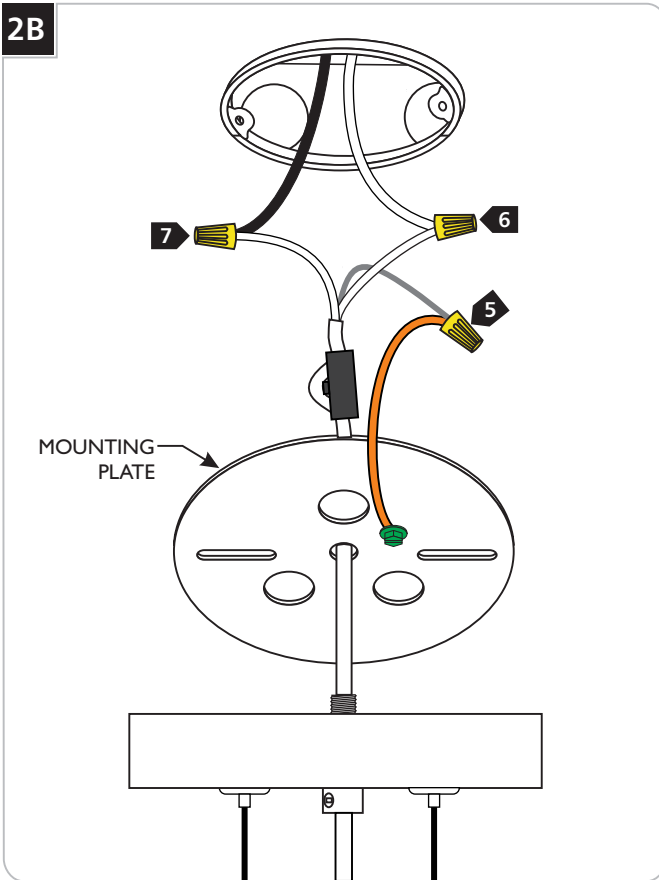
2 Install the secondary strain relief by first feeding the power cord through it.

3 Snap the strain relief tab into place.

4 Pull the cord to take up the slack and fit the rest of the cord in the strain relief's openings.

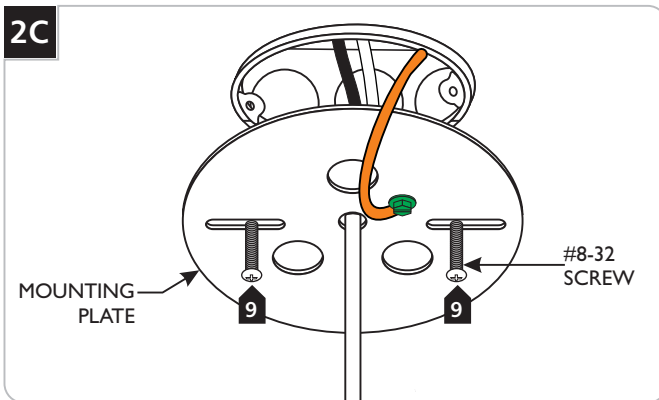
NOTE: It is recommended that one person hold the fixture while the electrician connects the power and installs the canopy.

2B



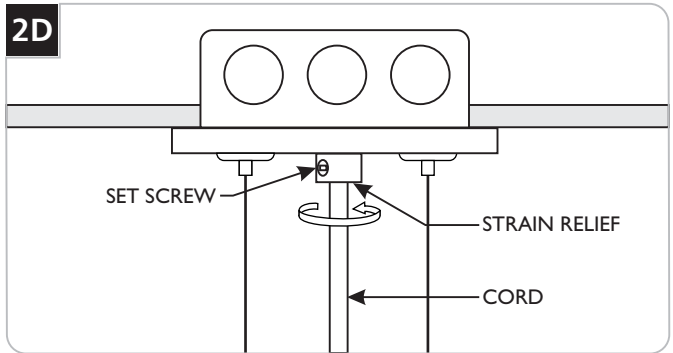
- 5** Connect the mounting plate and the fixture ground wire to a suitable ground in accordance with local electrical codes.
- 6** Connect the fixture wire with white tracer (white wire) to the neutral power line wire with a wire nut.
- 7** Connect the last fixture wire (black wire) to the hot power line wire with a wire nut.

2C



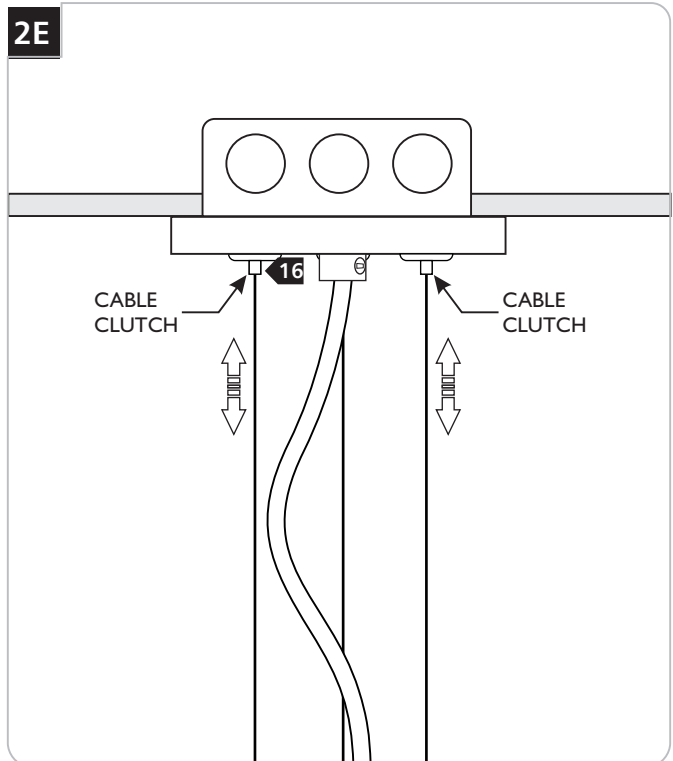
- 8** Place all wires, wire nut connections, and the secondary strain relief properly inside the electrical box.
- 9** Secure the mounting plate to the electrical box with the two provided #8-32 screws.

2D



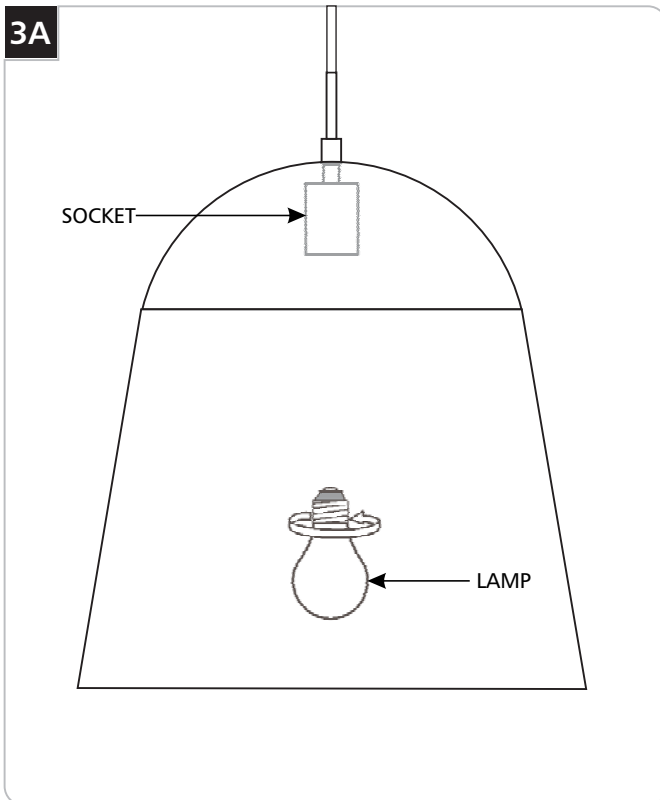
- 10** Place all wires and wire nut connections properly inside the canopy.
- 11** Loosen the set screw on the strain relief.
- 12** Align the canopy center hole with the mounting plate center hole.
- 13** Place the canopy up against the ceiling and secure it in place by tightening the strain relief into the mounting plate. **Do not turn the cord.**
- 14** Push the cord into the canopy and line up the marked point on the cord with the bottom of the strain relief.
- 15** Tighten the plastic set screw to secure the cord.

2E



- 16** Adjust the aircraft cables until the fixture is level; feed the cable into the cable clutch to raise the fixture and push in on the cable clutch nipple to release the cable and lower the fixture.

Install the Lamp



CAUTION: To reduce the risk of a burn or electric shock during re-lamping, disconnect the power to the fixture.

Refer to fixture marking for lamp information.

- 1 Screw the lamp into the socket.

SAVE THESE INSTRUCTIONS!



7400 Linder Ave, Skokie, IL 60077
847.410.4400

www.techlighting.com

© 2017 Tech Lighting, L.L.C. All rights reserved. The "Tech Lighting" graphic is a registered trademark of Tech Lighting, L.L.C. Tech Lighting reserves the right to change specifications for product improvements without notification.
A Generation Brands Company