

Exp Pendant

700TDEXOP_

1.0



GENERAL PRODUCT INFORMATION:

These fixtures are intended to be installed utilizing NEC compliant junction boxes.



This product is suitable for damp locations.

This product can be dimmed with a low-voltage electronic dimmer, 0-10V dimmer or TRIAC dimmer.

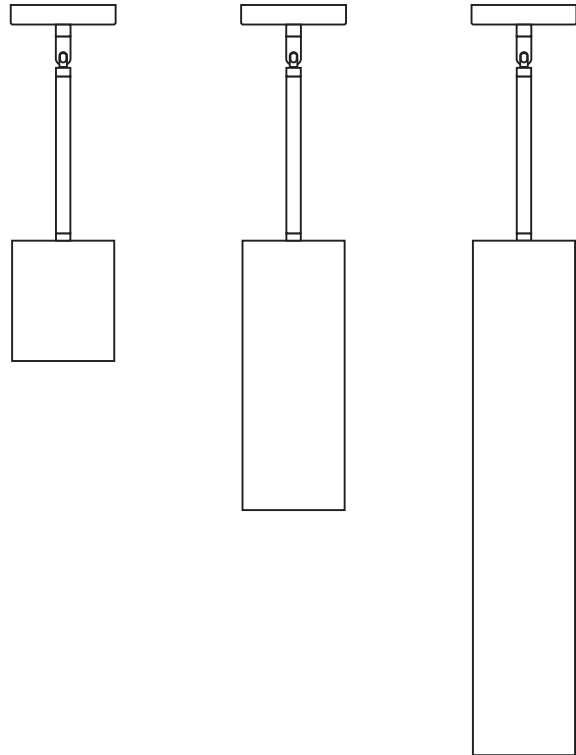
This instruction shows a typical installation.

CAUTION - RISK OF FIRE

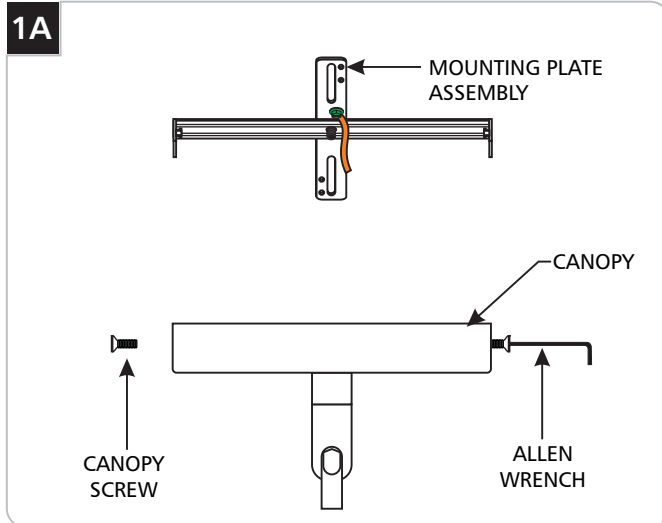
This product must be installed in accordance with the applicable installation code by a person familiar with the construction and operation of the product and the hazards involved.

Use minimum 90°C supply conductors.

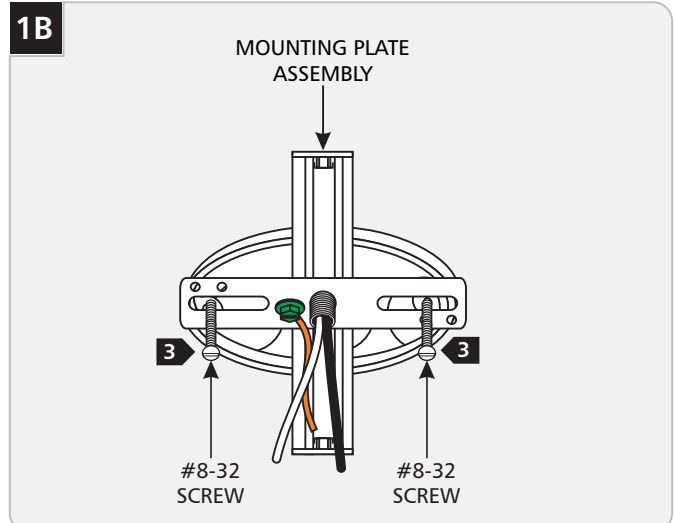
Two Person Installation Recommended



Install the Mounting Plate

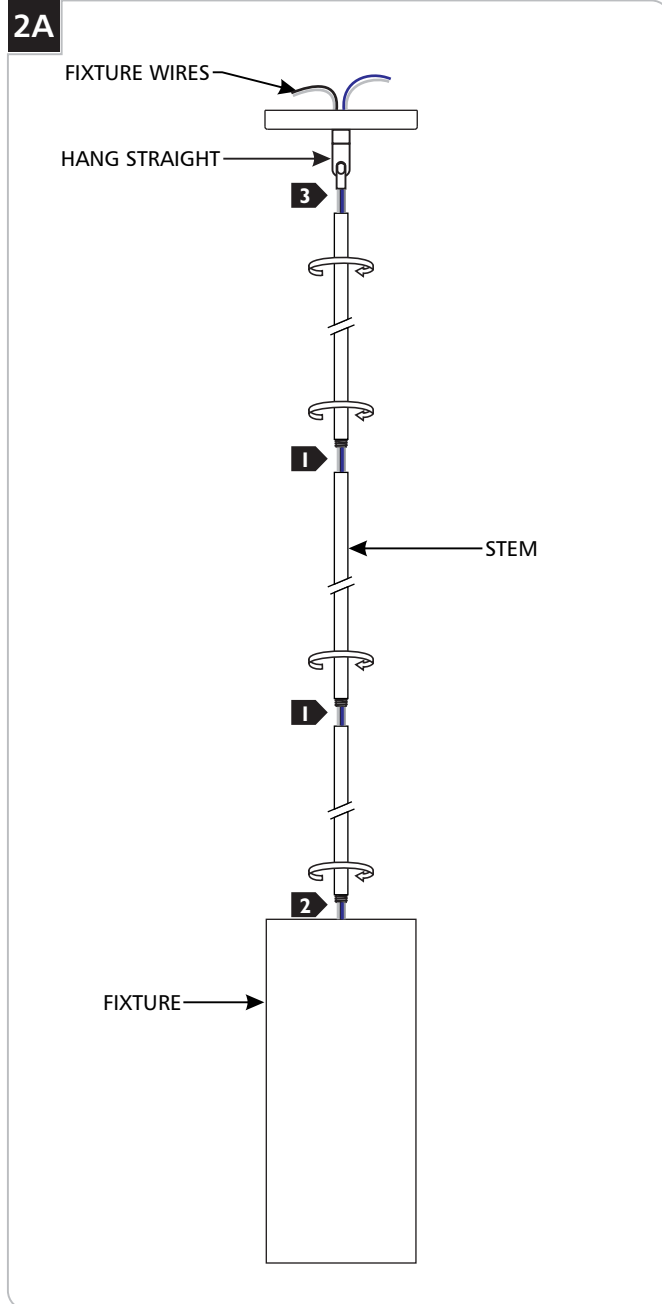


- 1 Remove the canopy screws using the provided Allen Wrench.
- 2 Remove the mounting plate from the canopy.



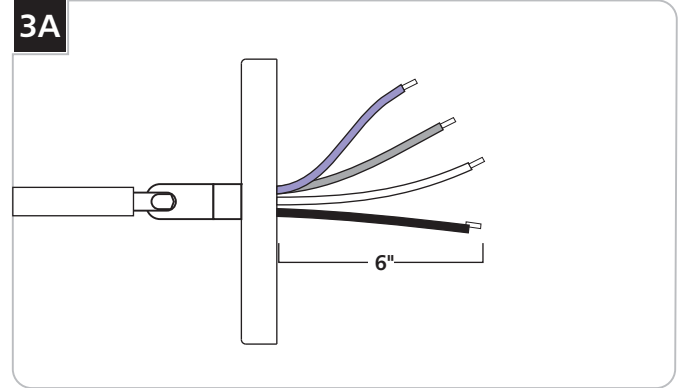
- 3 Secure the mounting plate to the electrical box with the #8-32 screws provided.

Assemble the Fixture

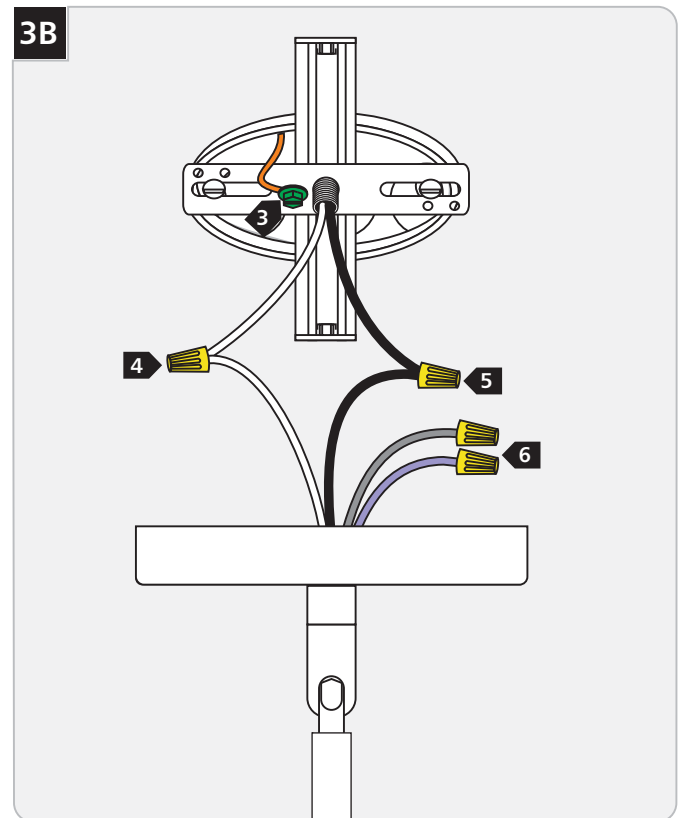


- 1 Determine desired length of fixture using the provided stems and assemble them by screwing them together.
- 2 Feed the fixture wires through the stem assembly and screw it to the fixture.
- 3 Feed the fixture wires through the hang straight and screw it onto the stem assembly.

Install the Fixture

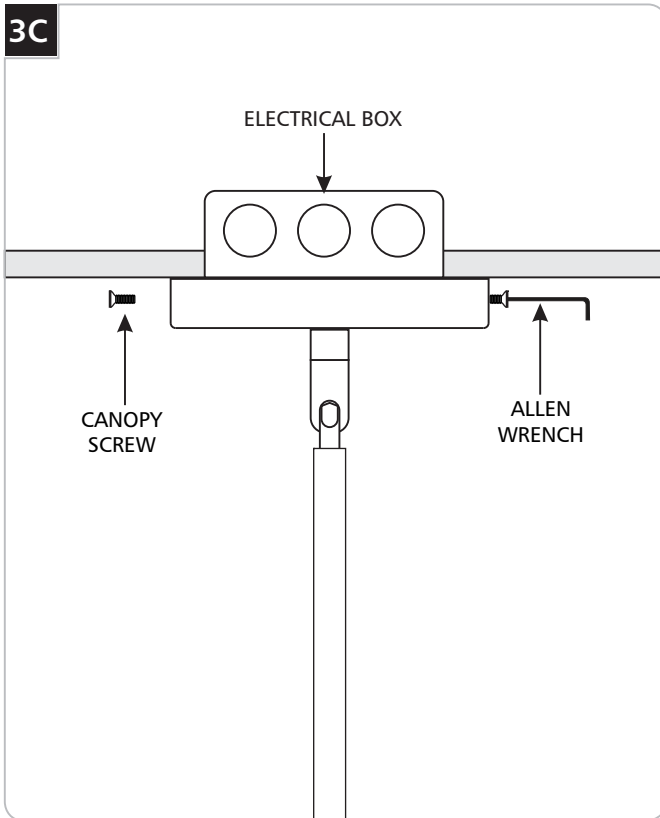


- 1 Leave 6" of the wire behind the canopy for power connections. Cut the excess wire.
- 2 Strip the end of the wires.

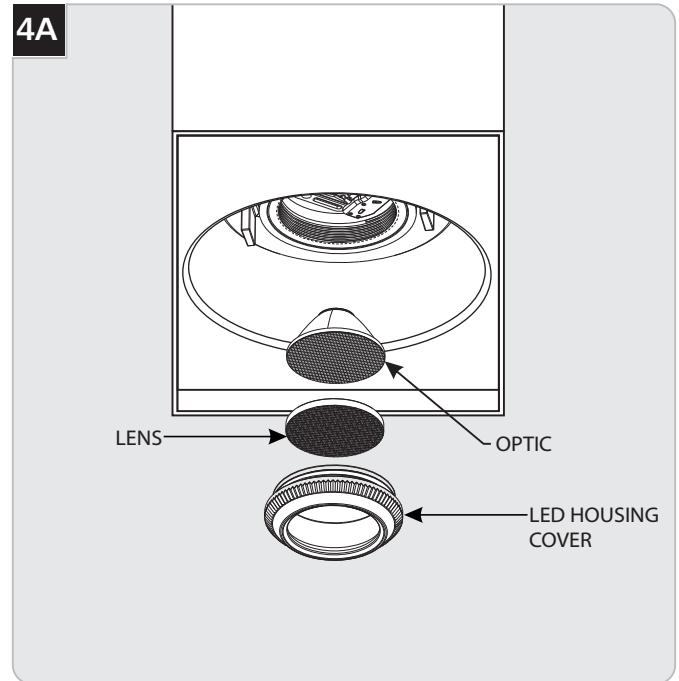


- 3 Connect the fixture to a suitable ground in accordance with local electrical codes.
- 4 Connect the white driver wire to the neutral power line wire with a wire nut.
- 5 Connect the black driver wire to the hot power line wire with a wire nut.
- 6 For 0-10V dimming, use the purple and gray wires to connect to a compatible dimmer.

Optics and Lenses



- 7** Neatly place all wires and wire nut connections inside the canopy.
- 8** Align the canopy holes with the mounting plate holes. Secure the canopy in place by tightening the canopy screws using the provided Allen Wrench.



- 1** Unscrew and remove the LED housing cover.
- 2** Remove the optic.
- 3** If installing an optional lens, rest the lens inside the housing cover.
- 4** Install the optic (replacement or existing) inside the LED housing cover.
- 5** Screw the LED housing cover back on.

SAVE THESE INSTRUCTIONS!



7400 Linder Ave, Skokie, IL 60077

847.410.4400

www.techlighting.com

© 2017 Tech Lighting, L.L.C. All rights reserved. The "Tech Lighting" graphic is a registered trademark of Tech Lighting, L.L.C. Tech Lighting reserves the right to change specifications for product improvements without notification.

A Generation Brands Company