


# Megan and Tegan Large Flush Mount

700FMMGN, 700FMTGN 1.1



**GENERAL PRODUCT INFORMATION:** 

These fixtures are intended to be installed utilizing NEC compliant junction boxes.

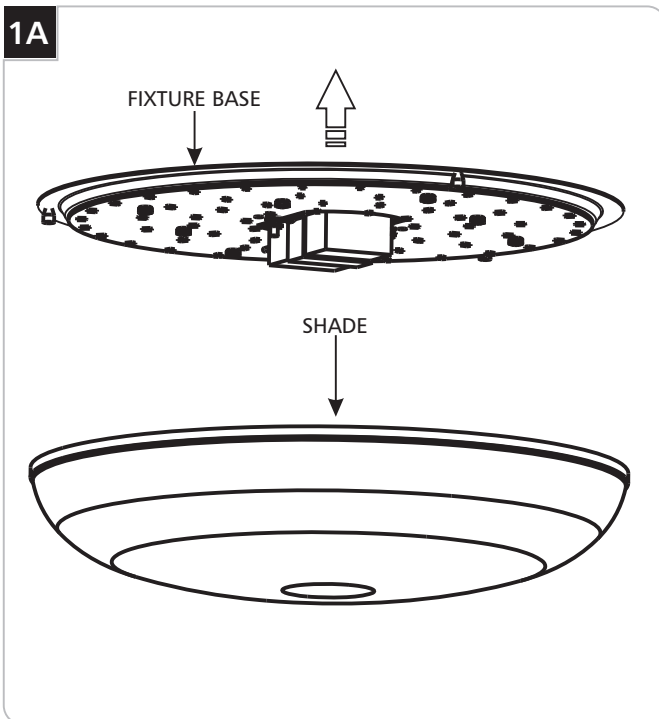
This product is suitable for damp locations.

This product can be dimmed with a low-voltage electronic dimmer.

This product may be ceiling or wall mounted.

This instruction shows a typical installation.

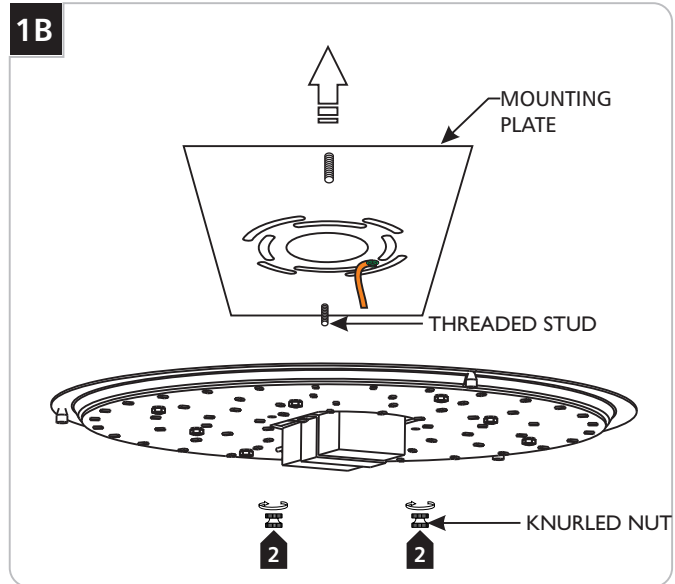
## Install the Fixture Base



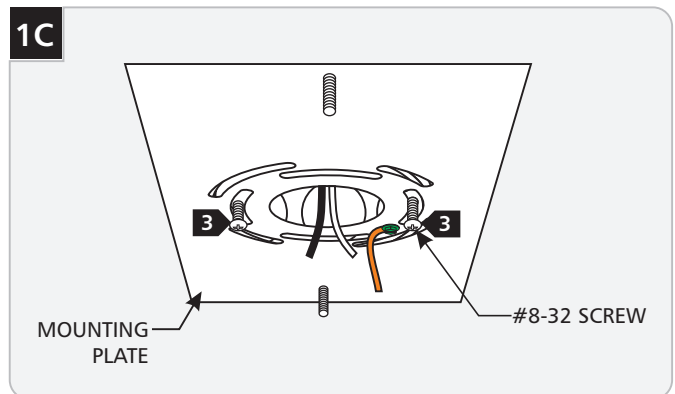
**1** Separate the shade from the fixture base by rotating the shade out of the fixture base.

**CAUTION - RISK OF FIRE**  
 This product must be installed in accordance with the applicable installation code by a person familiar with the construction and operation of the product and the hazards involved.  
**Use minimum 90°C supply conductors.**

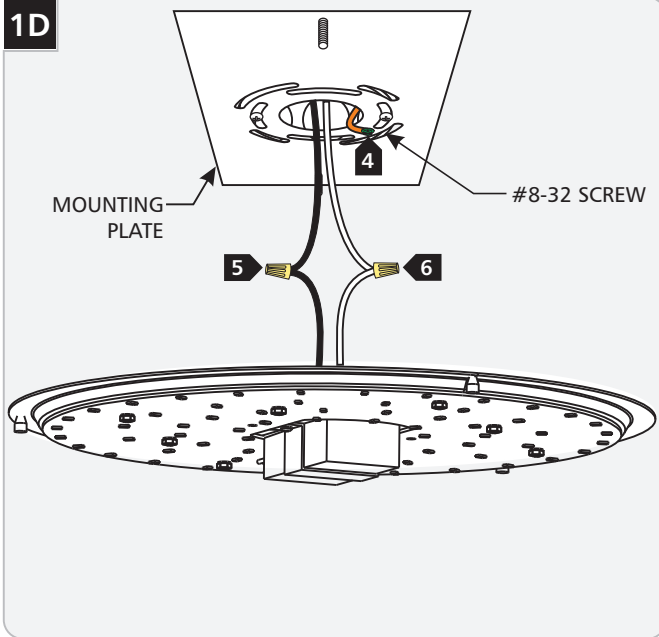
**SAVE THESE INSTRUCTIONS!**



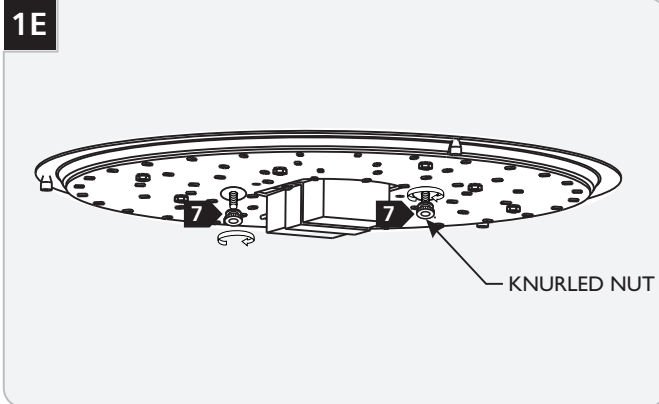
**2** Remove the mounting plate from the fixture base by unscrewing the two knurled nuts from the two threaded studs.



**3** Secure the mounting plate to the junction box with 2 #8-32 screws.

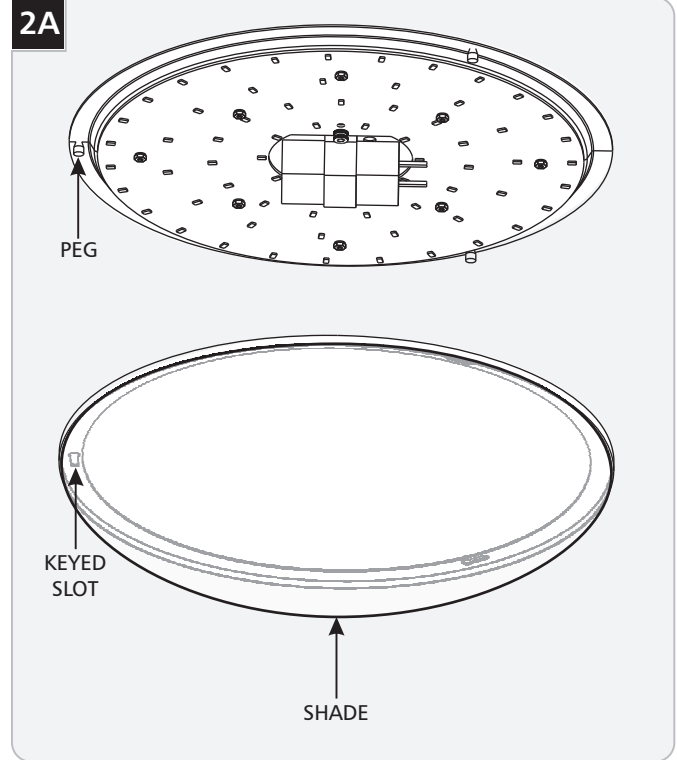
**1D**

- 4** Ground the mounting plate in accordance with local electrical codes.
- 5** Connect the black fixture wire to the hot power line wire with a wire nut.
- 6** Connect the white fixture wire to the neutral power line wire with a wire nut.

**1E**

- 7** Properly place all wires and wire nut connections into the junction box, mount the fixture base to the ceiling by reinstalling it onto the mounting plate, and secure it tightly with the knurled nuts.

## Install the Shade

**2A**

- 1** Align the pegs on the mounting plate with the keyed slots on the shade, push the shade onto the pegs, and rotate it to tightly secure in place.

 **TECH LIGHTING**

7400 Linder Ave., Skokie, IL 60077  
 T 847.410.4400 | F 847.410.4500  
[www.techlighting.com](http://www.techlighting.com)