

ESSENCE Factory Assembled Surface Mount

ESSF_, ES45_ | 1.5



ESSENCE

GENERAL PRODUCT INFORMATION:



This product is suitable for indoor locations.

For a list of compatible dimmers, visit our website at www.techlighting.com.

This instruction shows a typical installation.

CAUTION - RISK OF FIRE

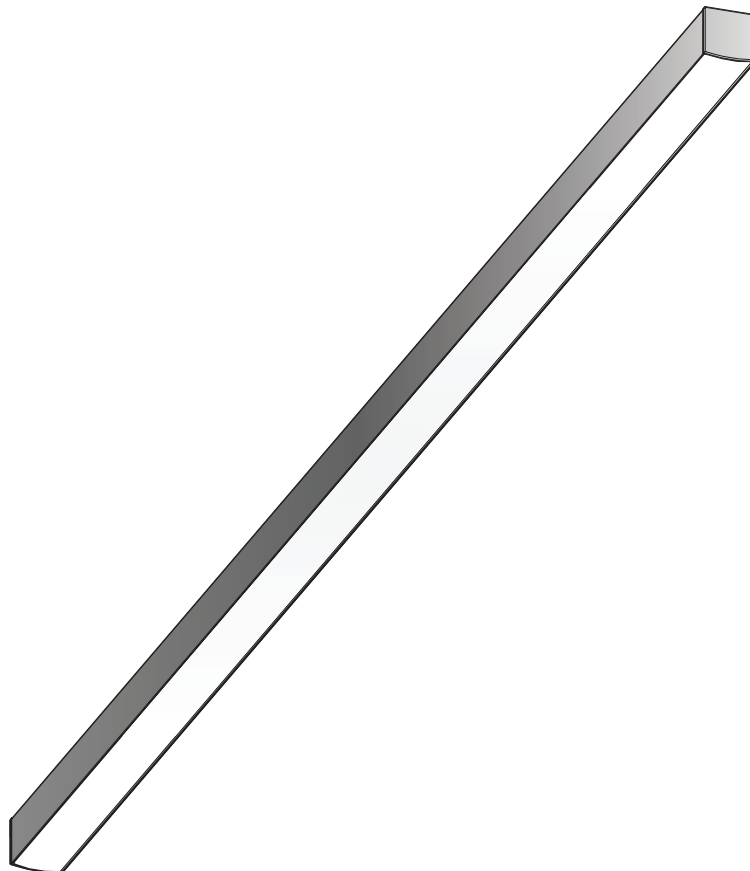
This product must be installed in accordance with the applicable installation code by a person familiar with the construction and operation of the product and the hazards involved.

Use minimum 90°C supply conductors.

Luminaire is suitable for installation within a clothes closet storage space. (Excluding : ESSF1206, ESSF1212, ESSF0808R, ESSF0808S)

Le luminaire convient à l'installation dans un vêtement espace de rangement placard. (À l'exclusion: ESSF1206, ESSF1212, ESSF0808R, ESSF0808S)

SAVE THESE INSTRUCTIONS!



7400 Linder Ave., Skokie, IL 60077
T 847.410.4400 | F 847.410.4500
www.techlighting.com

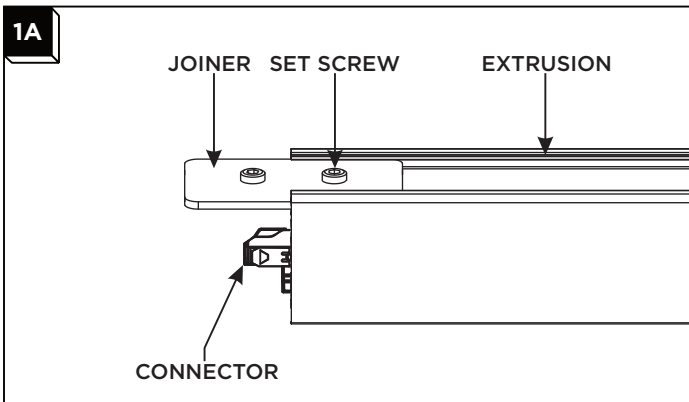
Connect Multiple Segments

NOTE: Fully assemble the run before mounting. Assistance by another installer will be required.

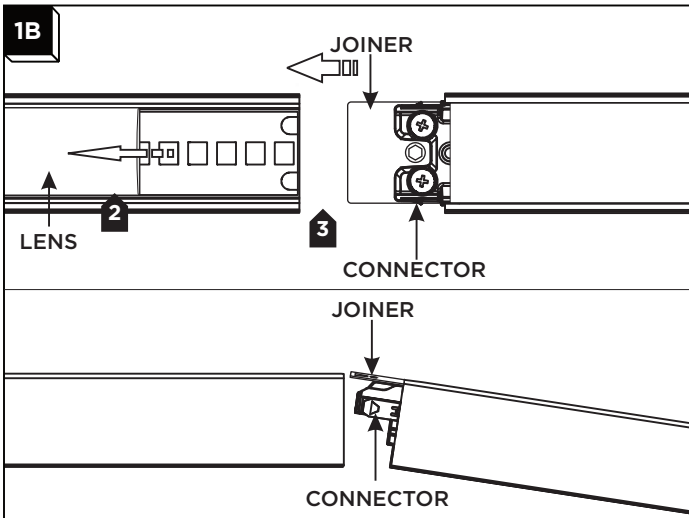
NOTE: Model ES45 does not use a joiner.

WARNING: When connecting multiple segments it is important, to make sure the system is not connected to the power supply. This is to prevent any potential shorts while making the necessary connections.

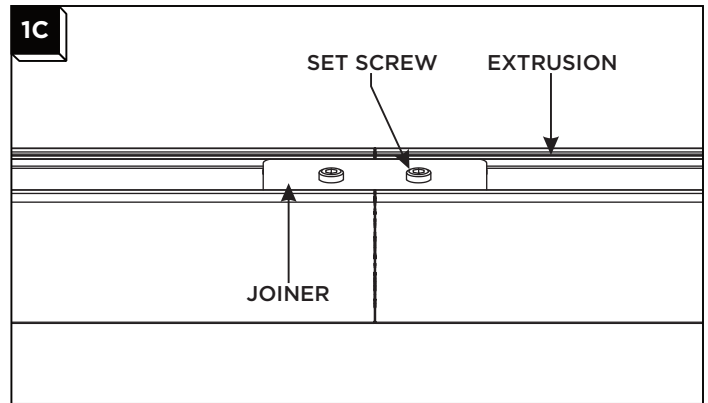
NOTE: If only installing one fixture, skip to section 2.



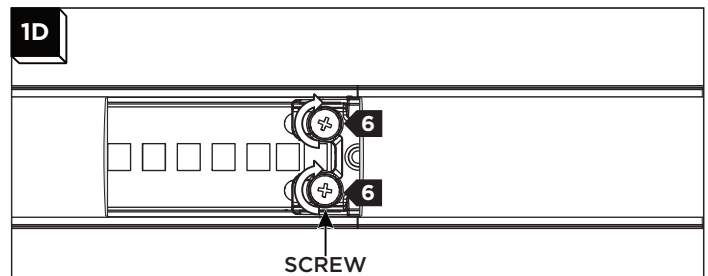
- 1 On a housing that has a connector at its end, slide the joiner into the housing's extrusions and secure in place by tightening the #4-40 set screw on top with a 0.050" Allen wrench.



- 2 Before assembling, peel back the lens 6-8" to expose the connector.
- 3 Insert the connecting segment at an angle into the previously installed segment making sure to slide joiner into the fixture's extrusions.

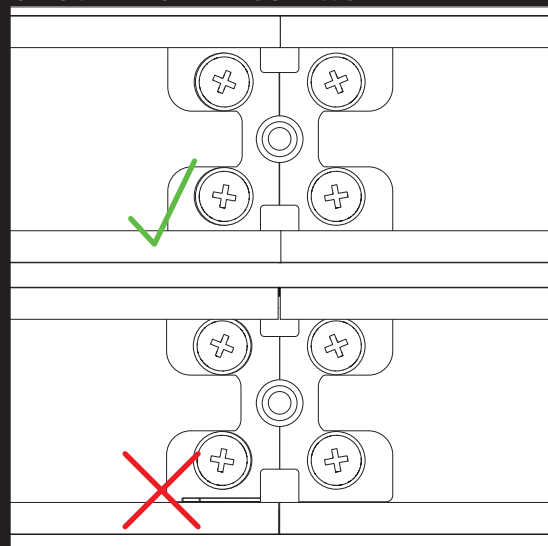


- 4 Secure the joiner in place with the #4-40 set screws and tighten it with a 0.050" Allen wrench.
- 5 Repeat until the entire channel has been assembled.



- 6 Tighten the two connector screws with a #1 Phillips screw driver.
- 7 Snap the lens back into place.
- 8 Repeat this process for each segment until all segments have been connected.

NOTE: Ensure connector is installed properly by checking to make sure the guiding strip is not visible. DO NOT REMOVE/LOOSEN ELECTRICAL CONNECTOR DO NOT OVER TIGHTEN SCREWS!

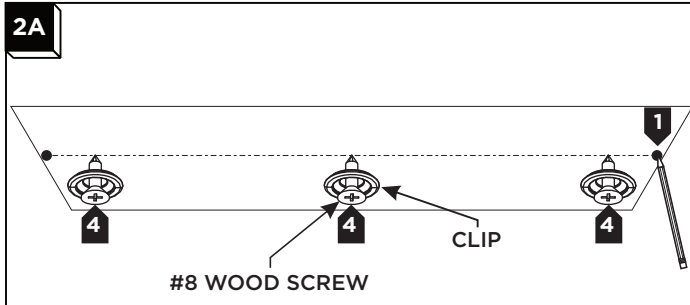


Install the Fixture with Chosen Method

NOTE: Fixtures may be installed with either clips, double sided tape, or magnetic mounting.

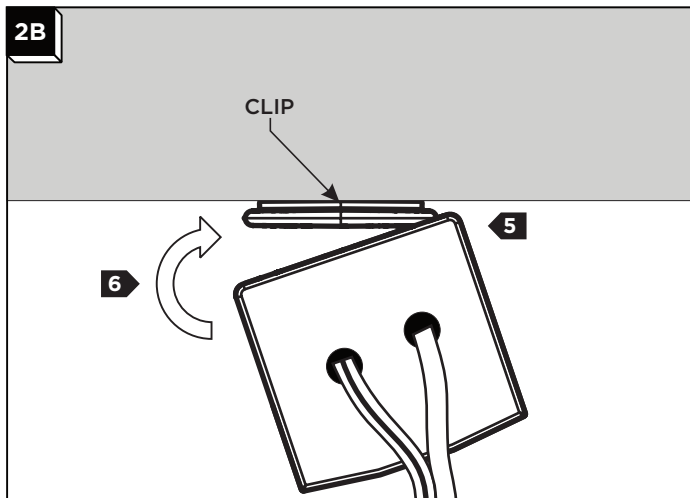
Install the Fixture with Clips

NOTE: A minimum of 3 clips are required for any run and/or segment. Runs and/or segments over 4ft require an additional clip for every additional 2ft of run length.



- 1 Mark the center line of the desired position of the fixture with a pencil or chalk line.
- 2 Insert the #8 wood screw into the clip.
- 3 Pre-drill holes along the marked line.
- 4 Fasten the clips into place along the marked line.

Alternate Mounting Method: Fully assemble the run before mounting. Assistance by another installer will be required.



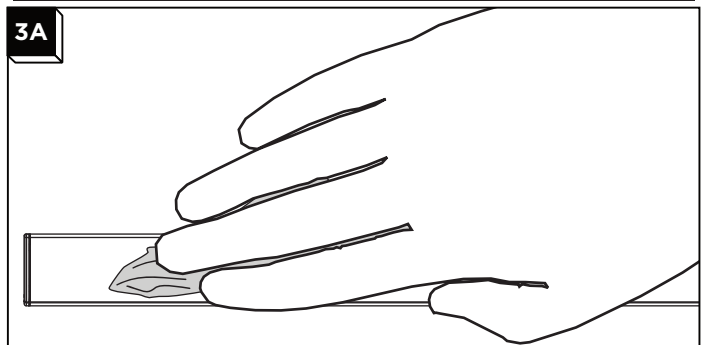
- 5 Starting with the power feed segment, lift the fixture to the installed clips and hook one edge on to the clips.
- 6 Then swing the other edge up and snap it into place.

Prepare the Surfaces for 2-Sided Tape

NOTE: A minimum of 3 pieces of 2-sided tape are required for any run and/or segment. Runs and/or segments over 4ft require an additional piece for every additional 2ft of run length.

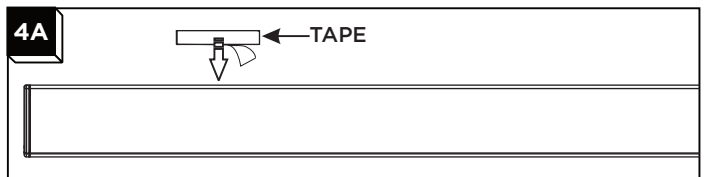
NOTE: The fixture and mounting surface must be prepared according to the 3M™ Surface Preparation guidelines. (<https://multimedia.3m.com/mws/media/660190/vhbtm-tape-surface-preparation-technical-bulletin.pdf>) Attachment surfaces must be clean and free of dust, oils and loose particles. Most substrates are best prepared by cleaning with a mixture of 70% isopropyl alcohol prior to applying 3M™ tapes. Exceptions include Heavy Oils, Abrasion, Adhesion Promoters, Porous Surfaces and Unique Materials. Rough, porous or fibrous materials such as wood, particle board, cement, etc., have an open surface and require sealing to provide a unified surface for tape bonding. Common sealing materials would include paint, varnish or other hard surface coatings. Glass, stone, ceramic and PVC are unique materials and require additional preparation to ensure bonding.

WARNING: Ensure no alcohol comes into contact with the fixture lens as it may cause the lens to be damaged.

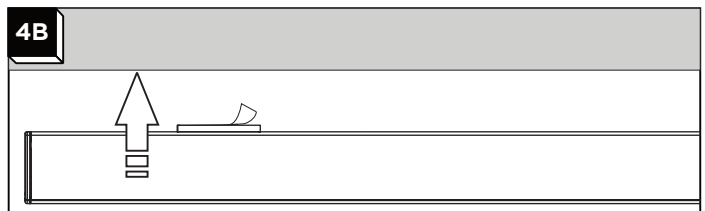


- 1 Starting with the power feed segment, ensure all surfaces are prepared.

Install the Fixture with 2-Sided Tape

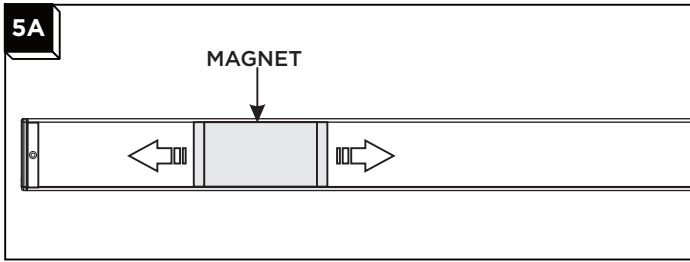


- 1 Peel backing off of the tape and apply it to the fixture.

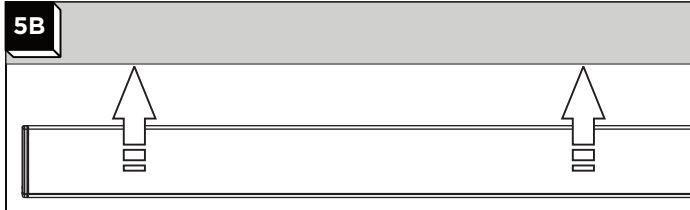


- 2 Peel backing on the other side of the tape and adhere the fixture to the prepared surface.

Install the Fixture with Magnetic Mounting



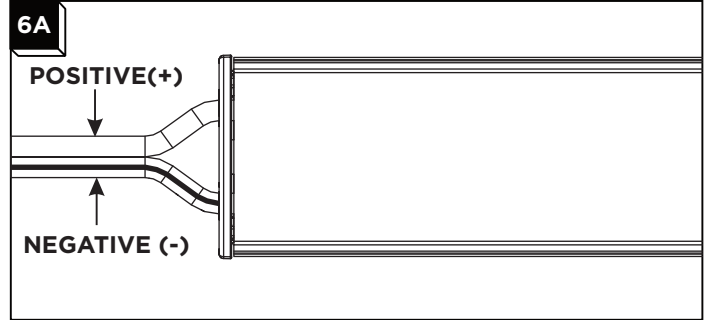
- 1 If necessary, slide the magnetic so that they are spaced to best support the fixture.



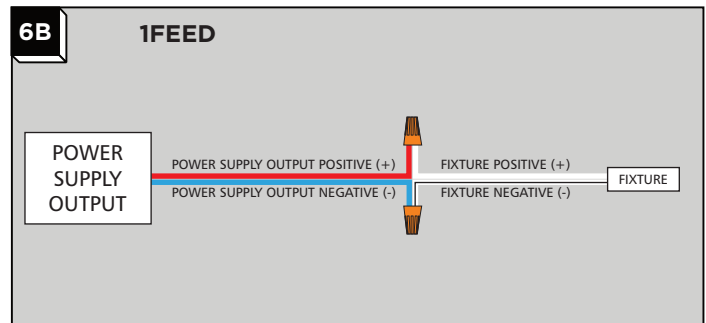
- 2 Install the fixture to the surface.

Wiring Power Supply Output to the Fixture

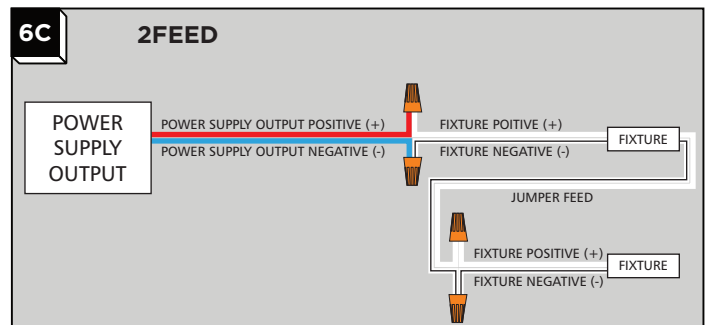
NOTE: Refer to power supply instruction for input wiring information.



- 1 Identify the negative wire. It will be marked with a stripe. Depending on the finish the stripe may vary in color.



- 2 Connect the power supply negative to the fixture negative (striped or black).
- 3 Connect the power supply positive to the fixture positive (solid or red).



NOTE: 2FEED fixtures are supplied with a jumper that can be used to power fixtures further down the run, that are separate from the initial run.

- 4 Connect the power supply negative to the fixture negative (striped or black).
- 5 Connect the power supply positive to the fixture positive (solid or red).
- 6 Connect the jumper negative to the fixture negative (striped or black).
- 7 Connect the jumper positive to the fixture positive (solid or red).