

ESSENCE Factory Assembled Recessed Flanged

ESRF_F 1.5



GENERAL PRODUCT INFORMATION:



This product is suitable for damp locations.

For a list of compatible dimmers, visit our website at www.techlighting.com.

This instruction shows a typical installation.

CAUTION - RISK OF FIRE

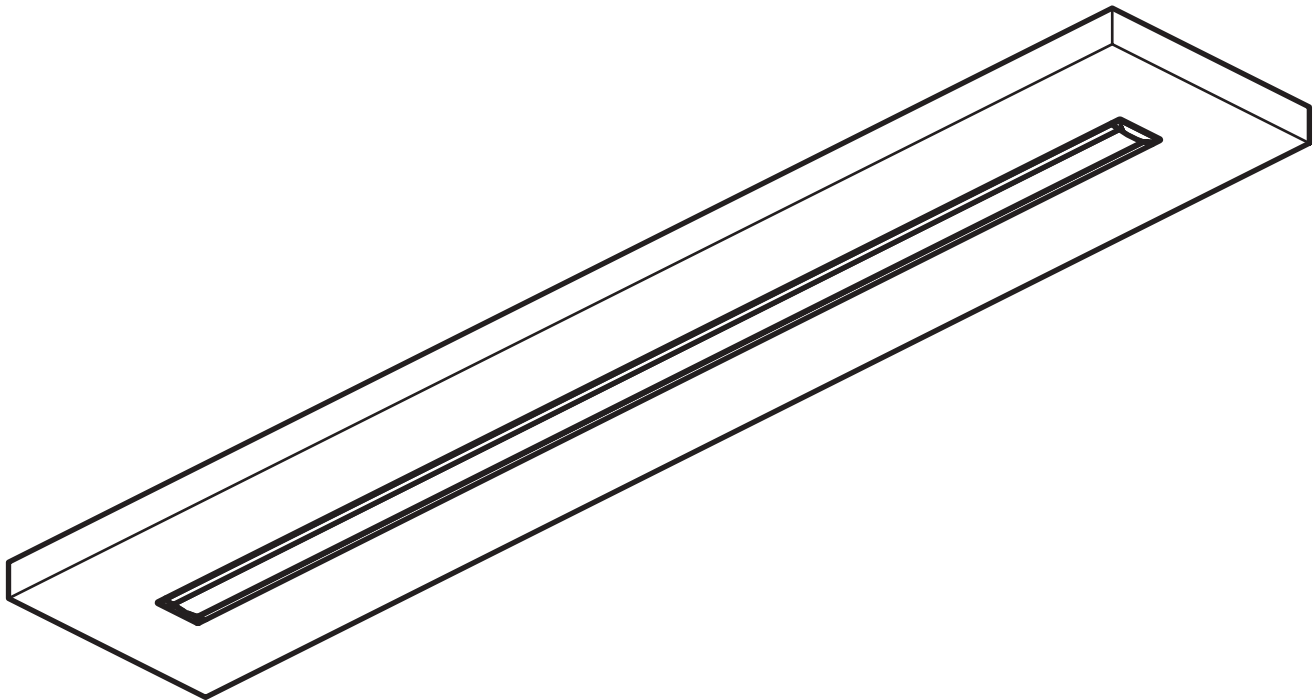
This product must be installed in accordance with the applicable installation code by a person familiar with the construction and operation of the product and the hazards involved.

Use minimum 90°C supply conductors.

Luminaire is suitable for installation within a clothes closet storage space. (Excluding: ESRF1206)

Le luminaire convient à l'installation dans un vêtement espace de rangement placard. (À l'exclusion: ESRF1206)

SAVE THESE INSTRUCTIONS!



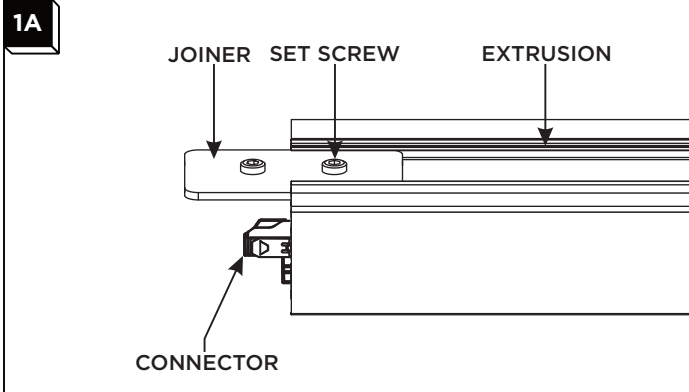
7400 Linder Ave., Skokie, IL 60077
T 847.410.4400 | F 847.410.4500
www.techlighting.com

Connect Multiple Segments

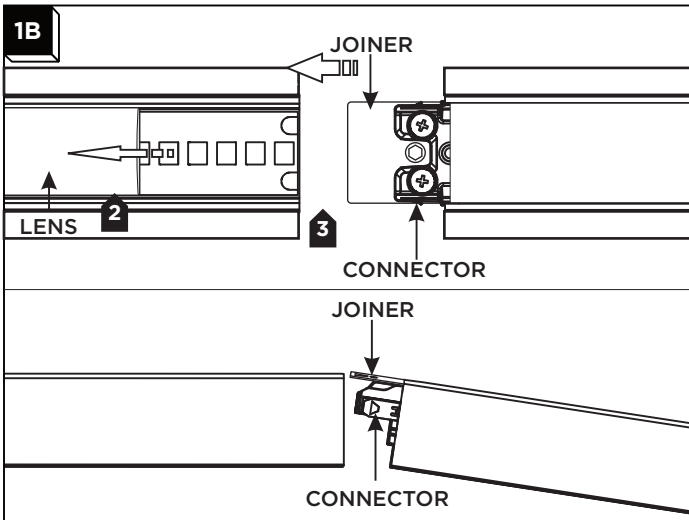
NOTE: Fully assemble the run before mounting. Assistance by another installer will be required.

WARNING: When connecting multiple segments it is important, to make sure the system is not connected to the power supply. This is to prevent any potential shorts while making the necessary connections.

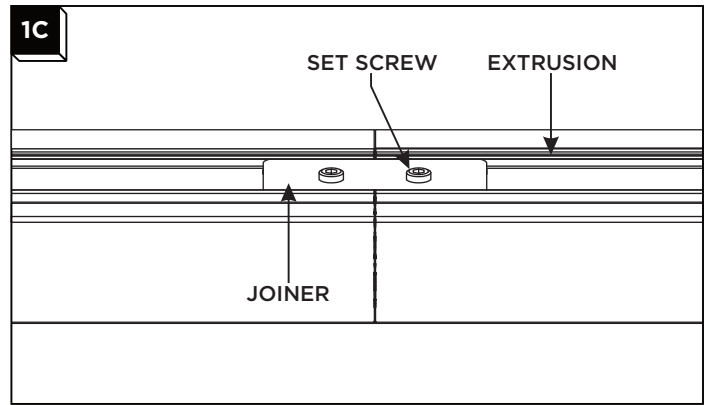
NOTE: If only installing one fixture, skip to section 2.



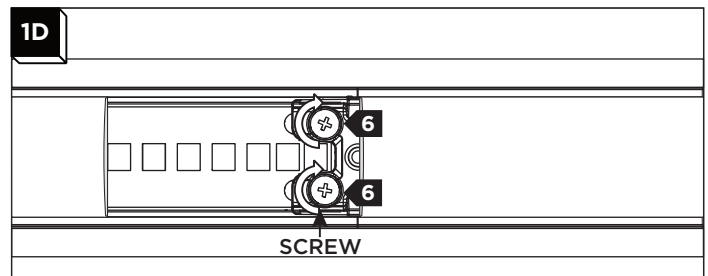
- 1 On a housing that has a connector at its end, slide the joiner into the housing's extrusions and secure in place by tightening the #4-40 set screw on top with a 0.050" Allen wrench.



- 2 Before assembling, peel back the lens 6-8" to expose the connector.
- 3 Insert the connecting segment at an angle into the previously installed segment making sure to slide joiner into the fixture's extrusions.

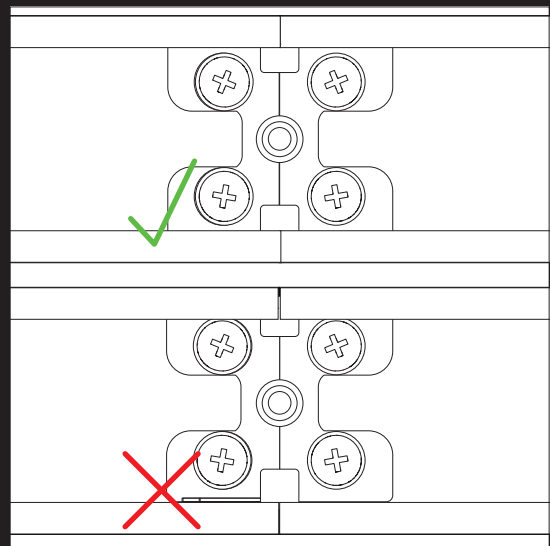


- 4 Secure the joiner in place with the #4-40 set screws and tighten it with a 0.050" Allen wrench.
- 5 Repeat until the entire channel has been assembled.



- 6 Tighten the two connector screws with a #1 Phillips screw driver.
- 7 Snap the lens back into place.
- 8 Repeat this process for each segment until all segments have been connected.

NOTE: Ensure connector is installed properly by checking to make sure the guiding strip is not visible. DO NOT OVER TIGHTEN SCREWS!

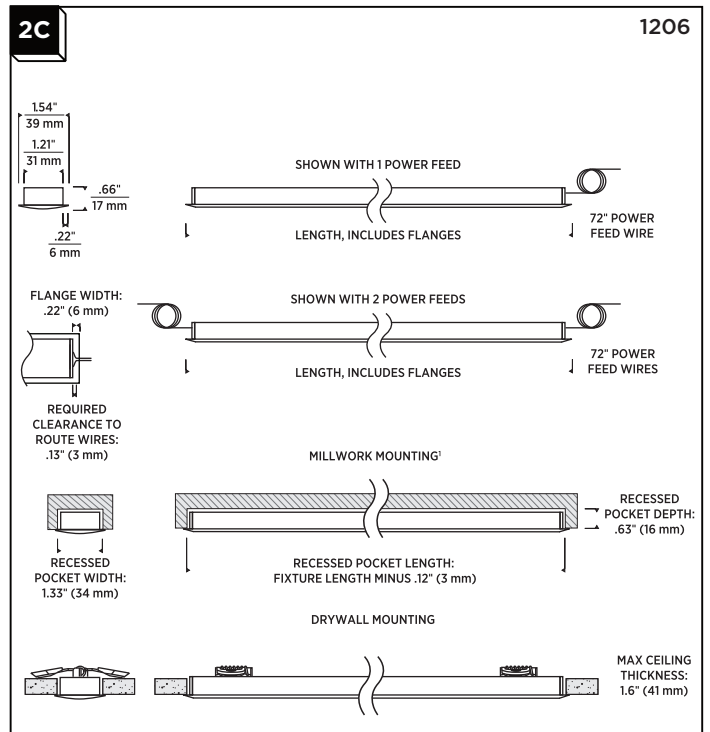
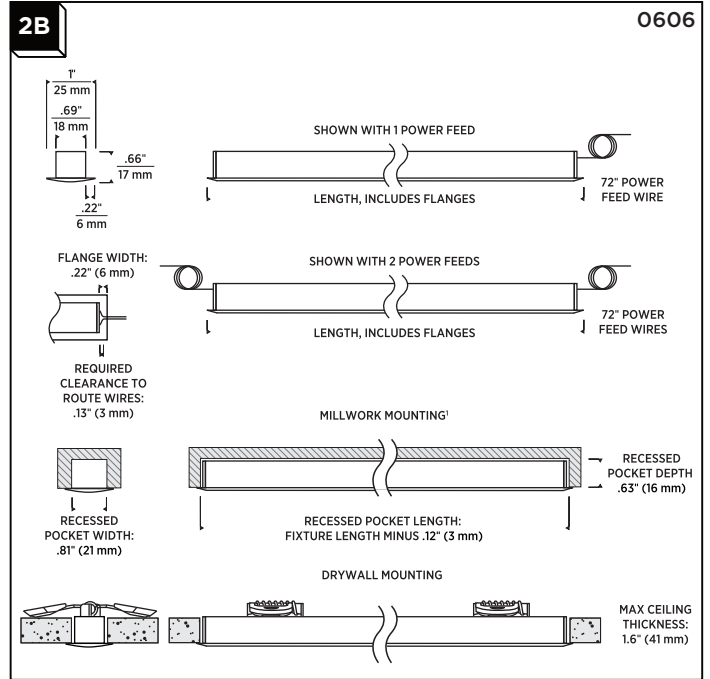
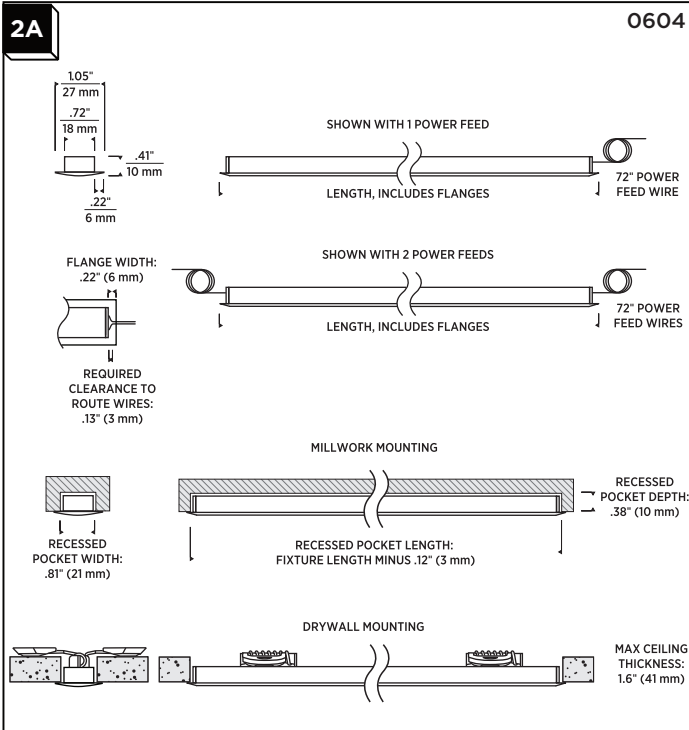


Create the Pocket/Slot

NOTE: Use the listed dimensions as reference only. To ensure a perfect fit, measure the fixtures on site.

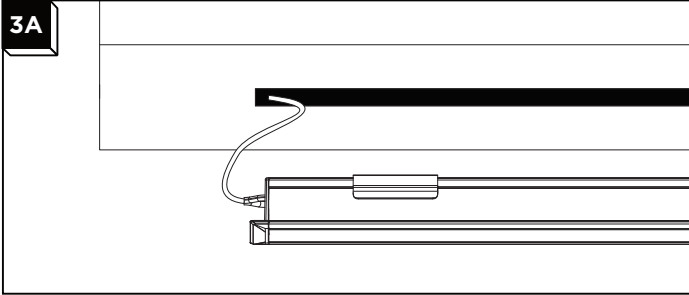
NOTE: (For Drywall) When installing between joists (parallel with joists) allow a minimum of 1.5" (38 mm) clearance between the center of the fixture and studs. In this installation, the fixture cannot be mounted directly over a joist. When installing perpendicular to joist, the mounting clips may be adjusted so they do not interfere with the joists.

1 Create an appropriate sized pocket/slot for your fixture's profile.

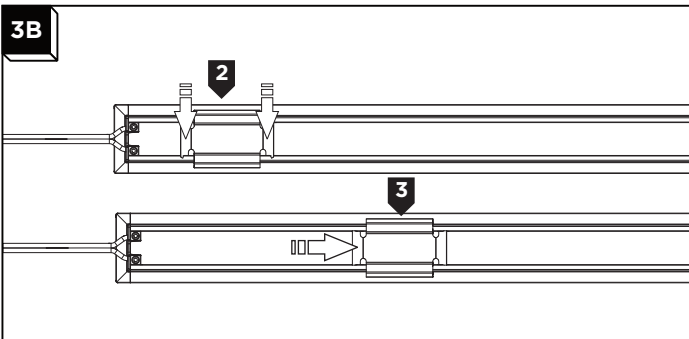


Install the Fixture into Pocket

NOTE: For Wall Versions: Follow the light direction label on the fixture. Ensure the housing is oriented correctly so that light will cast appropriately to the wall side and not to the room side.

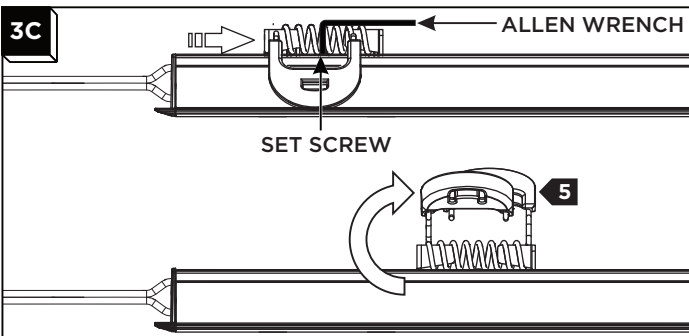


- 1 Route power feed wire into the pocket/slot.



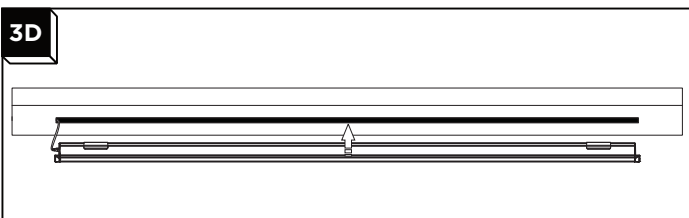
- 2 **For Millwork:** Position spring clips as needed by pushing down the two tabs on either side of the clip.

- 3 Then slide the clip into place.



- 4 **For Drywall:** Position spring clips as needed to avoid ceiling joists by loosening the #4-40 set screw with the 0.05" Allen wrench, then re-tighten once the clip is in position.

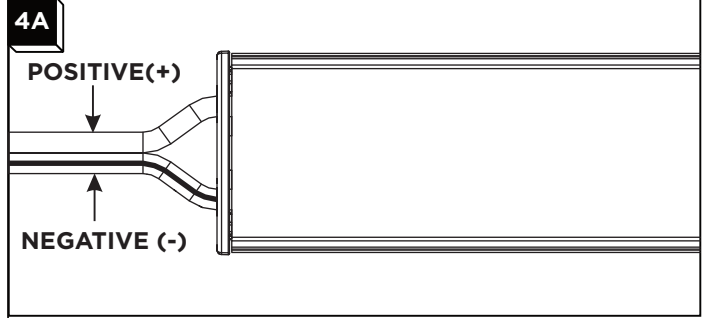
- 5 Pinch the tabs, one at a time, upward to fit them in side the created slot.



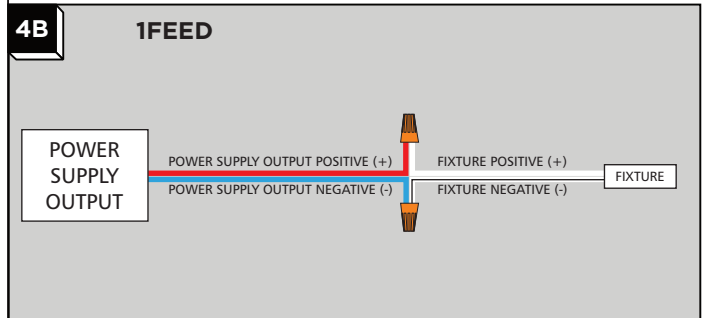
- 6 Push fixture into the pocket until the flange fits flush with the surface.

Wiring Power Supply Output to the Fixture

NOTE: Refer to power supply instruction for input wiring information.

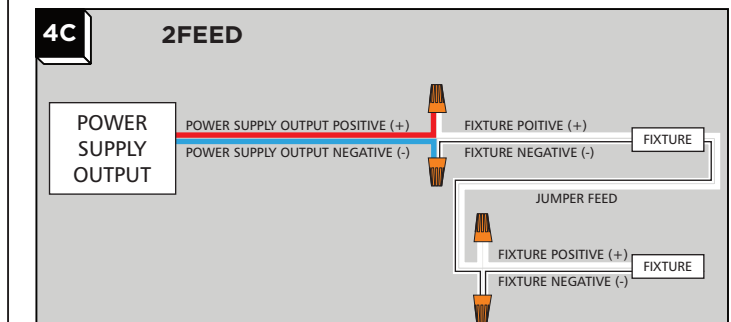


- 1 Identify the negative wire. It will be marked with a stripe. Depending on the finish the stripe may vary in color.



- 2 Connect the power supply negative to the fixture negative (striped or black).

- 3 Connect the power supply positive to the fixture positive (solid or red).



NOTE: 2FEED fixtures are supplied with a jumper that can be used to power fixtures further down the run, that are separate from the initial run.

- 4 Connect the power supply negative to the fixture negative (striped or black).

- 5 Connect the power supply positive to the fixture positive (solid or red).

- 6 Connect the jumper negative to the fixture negative (striped or black).

- 7 Connect the jumper positive to the fixture positive (solid or red).