

GENERAL PRODUCT INFORMATION:



This product is suitable for dry locations only.

This product can be dimmed with a standard electronic dimmer.

This instruction shows a typical installation.

SAVE THESE INSTRUCTIONS!

CAUTION - RISK OF FIRE

This product must be installed in accordance with the applicable installation code by a person familiar with the construction and operation of the product and the hazards involved.

Use minimum 90°C supply conductors.

! WARNING ALWAYS TURN OFF MAIN POWER BEFORE INSTALLING & SERVICING!
Ensure to read all Safety and Installation Instructions thoroughly!

IMPORTANT SAFETY INSTRUCTIONS

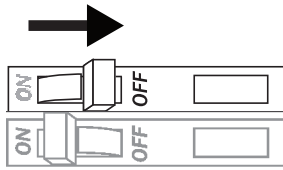
1. Read all instructions.
2. Install in accordance with national and local electrical code regulations.
3. This product is intended to be installed and serviced by a qualified, licensed electrician.
4. For cabinet and surface mount use only.
5. Do not install outdoors or in wet locations. For indoor and dry use only.
6. Do not conceal or extend exposed conductors through a building wall.
7. For low voltage exposed insulated conductor systems required by 30.1(c) of UL 2108 do not install any part of this system less than 7 feet (2.2m) above the floor.
8. To reduce the risk of fire and burns, do not install this lighting system where the exposed bare conductors can be shorted or contact any conductive materials.
9. To reduce the risk of fire and overheating, make sure all connections are tight.
10. Do not install any luminaire closer than 6 inches (15.25cm) from any curtain, or similar combustible materials.
11. Turn off electrical power before modifying the lighting system in any way.

CONSIGNES DE SÉCURITÉ IMPORTANTES

1. Lisez toutes les instructions
2. Installez conformément à la réglementation du code électrique national et local.
3. Ce produit est destiné à être installé et entretenu par un électricien agréé qualifié.
4. Pour armoire et montage en surface utiliser seulement.
5. Ne pas installer à l'extérieur ou dans des endroits humides. Pour une utilisation en intérieur et sec seulement.
6. Ne pas cacher ou allonger des conducteurs exposés à travers un mur de bâtiment.
7. Pour la basse exposée tension systèmes de conducteurs isolés requis par 30.1 (c) de la norme UL 2108 ne pas installer une partie de ce système moins de 7 pieds (2.2m) au-dessus du sol.
8. Pour réduire le risque d'incendie et de brûlures, ne pas installer ce système d'éclairage où les conducteurs nus exposés peuvent être court-circuités ou communiquer avec tous les matériaux conducteurs. To reduce the risk of fire and overheating, make sure all connections are tight.
9. Pour réduire le risque d'incendie et de surchauffe, assurez-vous que toutes les connexions sont bien serrées.
10. Ne pas installer un luminaire à moins de 6 pouces (15,25 cm) de toute rideau, ou matériaux combustibles analogues.
11. Coupez l'alimentation électrique avant de évoluer le système d'éclairage en aucune façon.

Install the Remote Power Supply

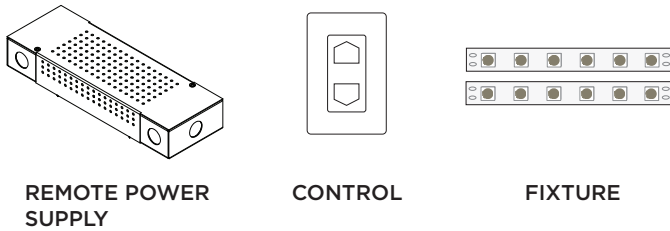
1A



SHOCK HAZARD! May result in serious injury and death. Turn power OFF at circuit breaker prior to installation.

- 1 Turn off power at the circuit breaker.

1B



REMOTE POWER SUPPLY

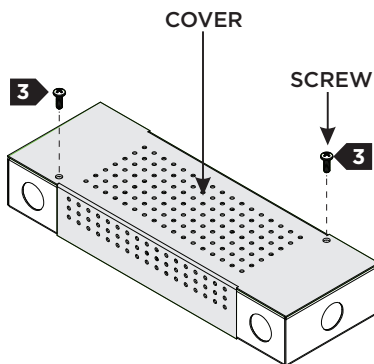
CONTROL

FIXTURE SUPPLY

- 2 Determine the location of the all the components.

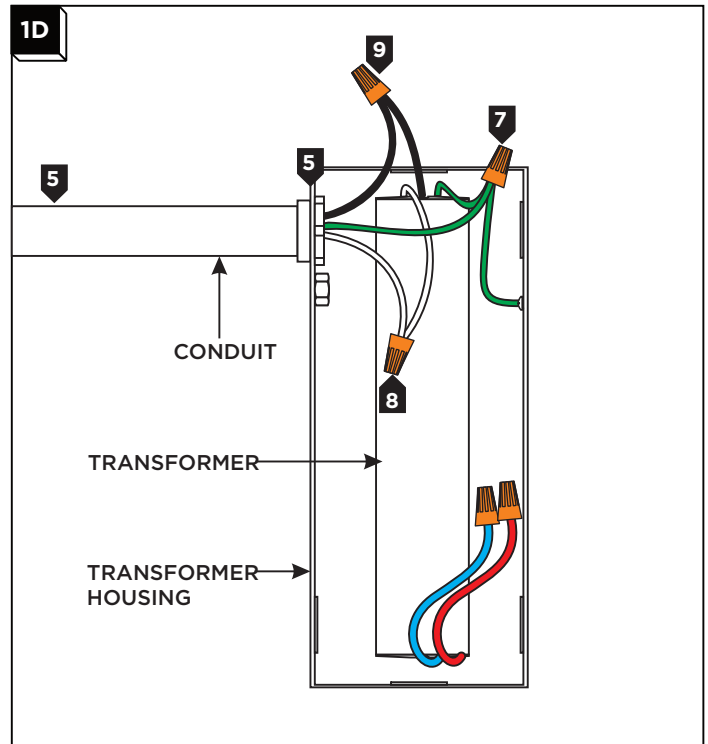
NOTE: In order to use small gage wires from the transformer to the electrical box, it is recommended to install the remote transformer near (if possible) the electrical box. See "Low Voltage Wire Size Table" on the next page.

1C

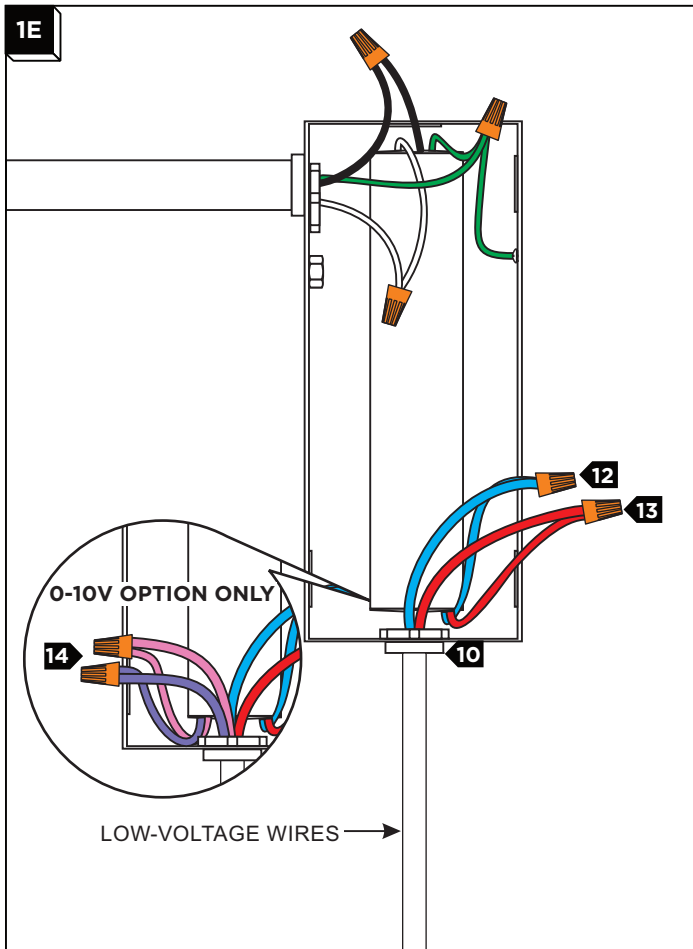


- 3 Remove the two screws to remove the power supply cover.

1D



- 4 Secure the transformer housing in place (hardware not included).
- 5 Install a conduit and power line wires from the panel to the remote transformer.
- 6 **Do not** connect the power line wires to the panel at this time.
- 7 Make sure the transformer and the housing is grounded in accordance with local electrical codes.
- 8 Connect the transformer white wire to the neutral power line wire with a wire nut.
- 9 Connect the transformer black wire to the hot power line wire with a wire nut.



10 Using one of the knockout locations, bring the low-voltage wires to the enclosure.

11 For the best performance, use the table below to select the wire size.

NOTE: Other wire sizes that comply with electrical code can be used, but may result in an increased voltage drop and reduced lamp intensity.

NOTE: The THHN wire sizes are for 3% or less drop in voltage based on watt loads. Lengths are the distance from the transformer to the system power feed connector.

12 Connect the blue transformer wire to the neutral (-) low-voltage wire.

13 Connect red transformer wire to the positive (+) low-voltage wire with a wire nut.

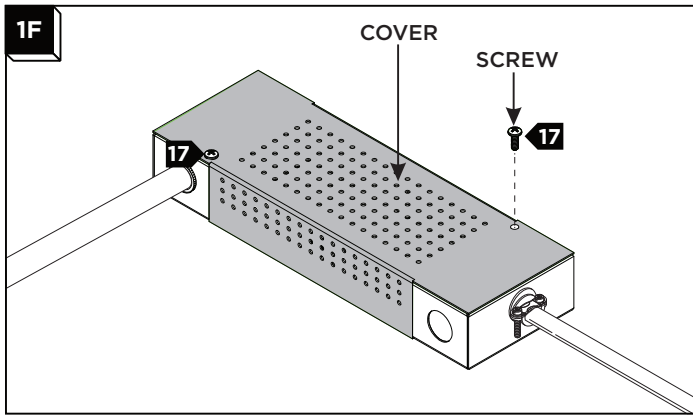
14 For 0-10V dimming options only: connect the grey/pink (-) and purple (+) wire respectively. Make sure to cap 0-10V dimming wires if are not being used.

Voltage Drop & Wire Length Distance Table

TOTAL LOAD

	10W .42A	20W .83A	30W 1.3A	40W 1.7A	50W 2.1A	60W 2.5A	70W 2.9A	80W 3.3A	90W 3.75A	100W 4.2A
20 AWG	85 ft.	43 ft.	27 ft.	21 ft.	17 ft.	14 ft.	12 ft.	11 ft.	9 ft.	8 ft.
18 AWG	134 ft.	68 ft.	45 ft.	33 ft.	27 ft.	22 ft.	19 ft.	17 ft.	15 ft.	14 ft.
16 AWG	215 ft.	109 ft.	72 ft.	54 ft.	43 ft.	36 ft.	31 ft.	27 ft.	24 ft.	22 ft.
14 AWG	345 ft.	174 fr.	115 ft.	86 ft.	69 ft.	57 ft.	49 ft.	43 ft.	39 ft.	36 ft.
12 AWG	539 ft.	272 ft.	181 ft.	135 ft.	108 ft.	90 ft.	77 ft.	68 ft.	61 ft.	56 ft.
10 AWG	784 ft.	397 ft.	263 ft.	197 ft.	158 ft.	131 ft.	112 ft.	98 ft.	97 ft.	82 ft.

WIRE GAUGE



15 Connect the power line wires at the panel.

16 After installing the entire system, operate the system for five minutes. On the low voltage side, all electrical connection points should be no more than warm to the touch. If a connection is hot to the touch, re-tighten the connection and check to ensure that the temperature decreases.

17 Properly place all the wires into the enclosure, replace the cover, and tighten the two screws.

 **TECH LIGHTING**

7400 Linder Ave., Skokie, IL 60077

T 847.410.4400 | F 847.410.4500

www.techlighting.com