

## PRODUCT FEATURES

### LAMPING

Rated for (1) 75w max, E26 medium based lamp (Not Included). LED version includes (1) 9.5w, 800 delivered lumens, 2700K, medium base LED lamp. Dimmable with low-voltage electronic dimmer.



Smoke



Smoke

### ORDERING INFORMATION

700TDECS	COLOR	FINISH	LAMP
	S SMOKE	S SATIN NICKEL	NO LAMP
			-LED927 LED 90 CRI 2700K 120V (T20/T24)

700TDECS \_\_\_\_\_

JOB NAME \_\_\_\_\_

NOTES \_\_\_\_\_

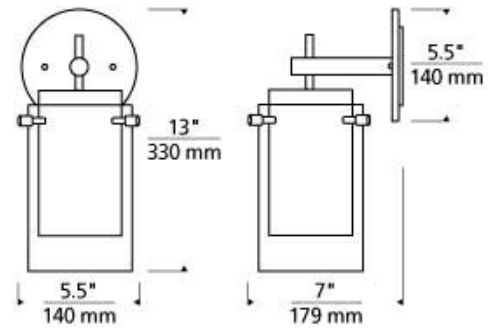
\_\_\_\_\_



# ECHO WALL

## SPECIFICATIONS

HARDWARE MATERIAL
SHADE MATERIAL
NET WEIGHT
HEIGHT
WIDTH
LENGTH
MIN. EXTENSION FROM WALL
UP LIGHT / DOWN LIGHT / BOTH?
WET LISTED
DAMP LISTED
DRY LISTED
UP / DOWN
HORIZONTAL / VERTICAL
WALL / CEILING MOUNT
GENERAL LISTING
ADA COMPLIANT
INCLUDES



## LAMPING SPECIFICATIONS

	LED LAMP	INTEGRATED LED	NON LED	NO LAMP
DELIVERED LUMENS				
WATTS				
MAX WATTAGE PER BULB				
INPUT VOLTAGE				
DIMMING TYPE*				
CCT				
CRI				
LED LIFETIME				
L70				
AVERAGE BULB HOURS				
FIELD SERVICEABLE LED				
LAMP BASE				
LAMP SHAPE				
LAMP INCLUDED?				
WARRANTY**				

\*Dimming information available at [www.techlighting.com/Downloads#dimming](http://www.techlighting.com/Downloads#dimming)  
 \*\* Visit [techlighting.com](http://techlighting.com) for specific warranty limitations and details.

## T20 / T24 INFORMATION

	Integrated LED	Replacement LED Lamp	No Lamp *
This product can be used to comply with California Building Energy Efficiency Standards 2016 <b>Title 24</b> Part 6.			
This product can be used to comply with California Appliance Efficiency Standards 2016 <b>Title 20</b> and may be shipped to and sold in California.			

\* If a light fixture or component does not include a lamp or light source, it is the responsibility of the customer to select a lamp that meets the T24 and T20 requirements.

