

PRODUCT FEATURES

- Simple yet elegant design
- Can be used for task and ambient lighting
- Available in two on-trend colors, Chrome and Satin Nickel
- Fully-dimmable to create the desired ambiance in any bathroom
- ADA compliant
- Protected by a 1-year warranty



Tigris Mirror Oval



Tigris Mirror Oval

LAMPING

For wall mount use only, may be mounted vertically or horizontally. Halogen includes eight 40 watt G9 base halogen lamps; compact fluorescent includes six 9 watt 2G7 base twin tube lamps and electronic ballast. LED version includes nine 4 watt, 100 delivered lumens, 3000K LED modules. ADA compliant. Recessed version requires modifications to existing wall construction.

ORDERING INFORMATION

700BCTIGO SHAPE OR SIZE	FINISH	LAMP
R24 RECESSED	C CHROME	-LED930 LED 90 CRI 3000K 120V
S26 SURFACE	S SATIN NICKEL	-LED930-277 LED 90 CRI 3000K 277V

Compact fluorescent option available only with surface style.

700BCTIGO _____

JOB NAME _____

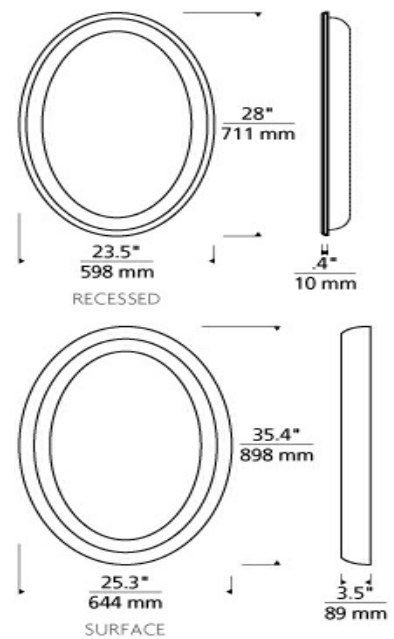
NOTES _____



TIGRIS MIRROR OVAL

SPECIFICATIONS

HARDWARE MATERIAL	Metal
SHADE MATERIAL	Glass
NET WEIGHT	28 lbs
HEIGHT	33.6in
WIDTH	0.4in
LENGTH	23.5in
WET LISTED	
DAMP LISTED	
DRY LISTED	
GENERAL LISTING	
INCLUDES	



LAMPING SPECIFICATIONS

	LED LAMP	INTEGRATED LED	NON LED	NO LAMP
DELIVERED LUMENS	862			
WATTS	36			
MAX WATTAGE PER BULB	36W			
INPUT VOLTAGE	120V 277V			
DIMMING TYPE*	ELV, TRIAC 0-10V			
CCT	3000K			
CRI	90 CRI			
LED LIFETIME				
L70				
AVERAGE BULB HOURS	50000			
FIELD SERVICEABLE LED				
LAMP BASE	Integrated LED			
LAMP SHAPE	T3			
LAMP INCLUDED?	Y			
WARRANTY**	5 Years			

* Dimming information available at www.techlighting.com/Downloads#dimming

** Visit techlighting.com for specific warranty limitations and details.

T20 / T24 INFORMATION

	Integrated LED	Replacement LED Lamp	No Lamp *
This product can be used to comply with California Building Energy Efficiency Standards 2016 Title 24 Part 6.		No	
This product can be used to comply with California Appliance Efficiency Standards 2016 Title 20 and may be shipped to and sold in California.		N/A	

* If a light fixture or component does not include a lamp or light source, it is the responsibility of the customer to select a lamp that meets the T24 and T20 requirements.

