

FOUNDRY PENDANT

PRODUCT FEATURES

- Foundry brings an urban edge to its vintage industrial silhouette.
- Available in two modern finishes, Matte White and Nightshade Black.
- Designed to a popular scale of 15 inches high and 16 inches in diameter.
- Dimmable with most LED compatible ELV and Triac dimmers
- Includes 12 feet of field-cutttable black cloth cord
- Protected by a 5-year warranty. Please visit the "About Us" Page on techlighting.com for more for warranty details



Nightshade Black

LAMPING

Includes 120 volt, 12 watt, 650 delivered lumen, 3000K, 90 CRI LED module. Dimmable with most LED compatible ELV and Triac dimmers. Includes 12 feet of field-cutttable black cloth cord.



Nightshade Black

Nightshade Black Alt

Matte White

Matte White alt

ORDERING INFORMATION

700	SYSTEM	FND	FINISH	LAMP
	TD LINE-VOLTAGE PENDANTS/SUSPENSION		W MATTE WHITE B NIGHTSHADE BLACK	-LED930 INTEGRATED LED 90 CRI 3000K 120V

700 _____ FND _____

JOB NAME _____

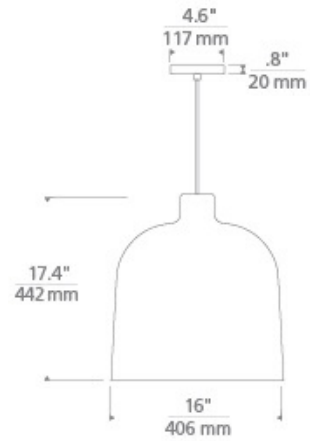
NOTES _____



FOUNDRY PENDANT

SPECIFICATIONS

HARDWARE MATERIAL	Steel
SHADE MATERIAL	Steel
NET WEIGHT	20 lbs
HEIGHT	17.4in
WIDTH	16in
LENGTH	16in
UP LIGHT / DOWN LIGHT / BOTH?	
WET LISTED	
DAMP LISTED	Yes
DRY LISTED	
MIN. HANGING HEIGHT	24.2in
MAX HANGING HEIGHT	162.2in
TOTAL CORD LENGTH	144in
TOTAL STEM LENGTH	
STEM QTY	
SLOPED CEILING ADAPTABLE?	
GENERAL LISTING	
INCLUDES	



LAMPING SPECIFICATIONS

	LED LAMP	INTEGRATED LED	NON LED	NO LAMP
DELIVERED LUMENS		650		
WATTS		12		
MAX WATTAGE PER BULB		12W		
INPUT VOLTAGE		120V		
DIMMING TYPE*		ELV, TRIAC		
CCT		3000K		
CRI		90 CRI		
LED LIFETIME				
L70				
AVERAGE BULB HOURS				
FIELD SERVICEABLE LED				
LAMP BASE		Integrated LED		
LAMP SHAPE		Integrated LED		
LAMP INCLUDED?		Y		
WARRANTY**		5 Years		

*Dimming information available at www.techlighting.com/Downloads#dimming
 ** Visit techlighting.com for specific warranty limitations and details.

T20 / T24 INFORMATION

	Integrated LED	Replacement LED Lamp	No Lamp *
This product can be used to comply with California Building Energy Efficiency Standards 2016 Title 24 Part 6.	Yes		
This product can be used to comply with California Appliance Efficiency Standards 2016 Title 20 and may be shipped to and sold in California.	N/A		

* If a light fixture or component does not include a lamp or light source, it is the responsibility of the customer to select a lamp that meets the T24 and T20 requirements.

