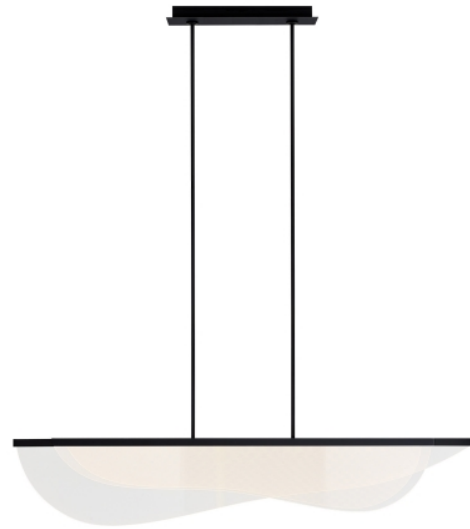


# NYRA 60 LINEAR SUSPENSION

## PRODUCT FEATURES

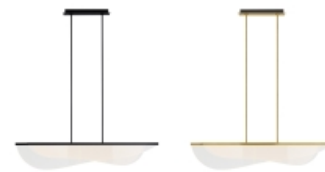
- The Nyra Collection is a modern and artful collection featuring beautiful waves of acrylic LED panels
- Offered in three distinct finishes, Plated Brass, Polished Nickel and Nightshade Black. Nyra Collection also includes Chandeliers in three sizes.
- Smooth panels of light guide technology produce an ample amount of general illumination
- Dimmable with most LED compatible ELV, Triac and 0-10V dimmers
- Includes (4) 6" and (6) 12" rigid stems in coordinating finish
- Protected by a 5-year warranty. please visit the "About Us" Page on [techlighting.com](http://techlighting.com) for more for warranty details



## LAMPING

Includes 79 watts, 6313 total delivered lumens, 3000K LED modules. Dimmable with most LED compatible ELV and TRIAC dimmers. Ships with (8) 12" and (4) 6" rigid stems in coordinating finish. 120V.

Black



Black

Brass

## ORDERING INFORMATION

700LSNYR	LENGTH (A)	FINISH	LAMP
	60 60"	<b>B</b> NIGHTSHADE BLACK <b>BR</b> PLATED BRASS <b>N</b> POLISHED NICKEL	-LED930 INTEGRATED LED 90 CRI 3000K 120V

700LSNYR \_\_\_\_\_

JOB NAME \_\_\_\_\_

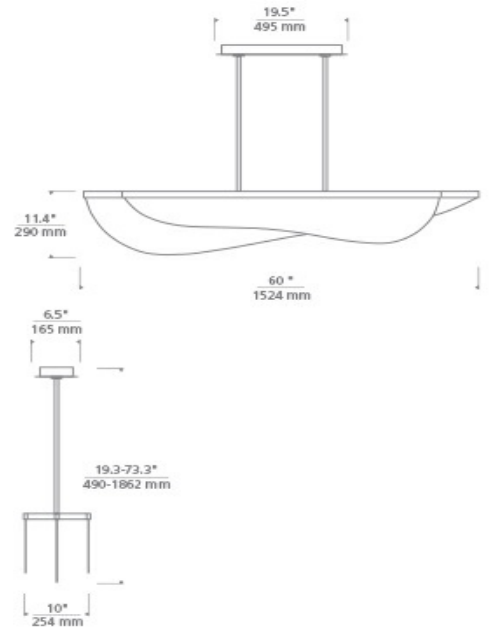
NOTES \_\_\_\_\_



# NYRA 60 LINEAR SUSPENSION

## SPECIFICATIONS

HARDWARE MATERIAL	Metal
SHADE MATERIAL	Metal
NET WEIGHT	18 lbs
HEIGHT	11.3in
WIDTH	10in
LENGTH	60in
UP LIGHT / DOWN LIGHT / BOTH?	
WET LISTED	
DAMP LISTED	Yes
DRY LISTED	
MIN. HANGING HEIGHT	19.2in
MAX HANGING HEIGHT	73.2in
TOTAL CORD LENGTH	
TOTAL STEM LENGTH	Up to 120in
STEM QTY	12
SLOPED CEILING ADAPTABLE?	
GENERAL LISTING	
INCLUDES	



## LAMPING SPECIFICATIONS

	LED LAMP	INTEGRATED LED	NON LED	NO LAMP
DELIVERED LUMENS		6313		
WATTS		79		
MAX WATTAGE PER BULB		79W		
INPUT VOLTAGE		120V		
DIMMING TYPE*		ELV, TRIAC		
CCT		3000K		
CRI		90 CRI		
LED LIFETIME				
L70				
AVERAGE BULB HOURS		50000		
FIELD SERVICEABLE LED				
LAMP BASE		Integrated LED		
LAMP SHAPE		Integrated LED		
LAMP INCLUDED?		Y		
WARRANTY**		5 Years		

\*Dimming information available at [www.techlighting.com/Downloads#dimming](http://www.techlighting.com/Downloads#dimming)  
 \*\* Visit [techlighting.com](http://techlighting.com) for specific warranty limitations and details.

## T20 / T24 INFORMATION

	Integrated LED	Replacement LED Lamp	No Lamp *
This product can be used to comply with California Building Energy Efficiency Standards 2016 <b>Title 24</b> Part 6.	Yes		
This product can be used to comply with California Appliance Efficiency Standards 2016 <b>Title 20</b> and may be shipped to and sold in California.	N/A		

\* If a light fixture or component does not include a lamp or light source, it is the responsibility of the customer to select a lamp that meets the T24 and T20 requirements.

