

PIRLO PENDANT

PRODUCT FEATURES

- Designed with a flattened metal shade that covers a frosted glass globe creates a Mid-Century Modern look
- 22" diameter and available in two modern finishes, aged brass and matte black
- Compliment your look with other geometric orbed fixtures from the Orbel Family
- Fixture provided with six feet of field-cuttable black cloth cord
- Lamping options are compatible with most dimmers
- Protected by a 1-year warranty. please visit the "About Us" Page on techlighting.com for more for warranty details



LAMPING

(No Lamp) Rated for rated for (1) 5 watt max. G9 Bi-Pin lamp (Not Included). LED 120 volt 5 watt, 303 delivered lumens, 3000K, LED G9 Bi-Pin lamp. Dimmable with most LED compatible ELV and TRIAC dimmers. Fixture provided with six feet of field-cuttable black cloth cord.

Aged Brass



Aged Brass

Matte Black

ORDERING INFORMATION

700	SYSTEM	PRL	FINISH	LAMP
	TD LINE-VOLTAGE PENDANTS/SUSPENSION		R AGED BRASS B MATTE BLACK	NO LAMP -LED930 BI-PIN G9 LED 90 CRI 3000K 120V (T20/T24)

700 _____ PRL _____

JOB NAME _____

NOTES _____

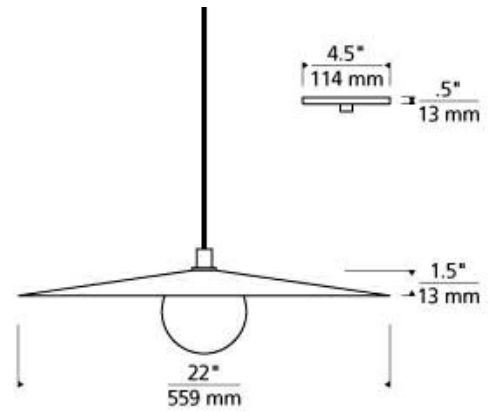


PIRLO PENDANT



SPECIFICATIONS

HARDWARE MATERIAL	Metal
SHADE MATERIAL	Glass
NET WEIGHT	3.5 lbs
HEIGHT	6.5in
WIDTH	22in
LENGTH	22in
UP LIGHT / DOWN LIGHT / BOTH?	
WET LISTED	
DAMP LISTED	Yes
DRY LISTED	
MIN. HANGING HEIGHT	13in
MAX HANGING HEIGHT	79in
TOTAL CORD LENGTH	72in
TOTAL STEM LENGTH	
STEM QTY	
SLOPED CEILING ADAPTABLE?	Yes
GENERAL LISTING	ETL Listed
INCLUDES	



LAMPING SPECIFICATIONS

	LED LAMP	INTEGRATED LED	NON LED	NO LAMP
DELIVERED LUMENS	303			
WATTS	5			
MAX WATTAGE PER BULB	5W			5W
INPUT VOLTAGE	120V			120V
DIMMING TYPE*	ELV, TRIAC			ELV, TRIAC
CCT	3000K			
CRI	90 CRI			
LED LIFETIME				
L70				
AVERAGE BULB HOURS	25000			
FIELD SERVICEABLE LED				
LAMP BASE	LED Bi-Pin			LED Bi-Pin
LAMP SHAPE	G9			G9
LAMP INCLUDED?	Y			N
WARRANTY**	1 Year			1 Year

* Dimming information available at www.techlighting.com/Downloads#dimming
 ** Visit techlighting.com for specific warranty limitations and details.

T20 / T24 INFORMATION

	Integrated LED	Replacement LED Lamp	No Lamp *
This product can be used to comply with California Building Energy Efficiency Standards 2016 Title 24 Part 6.			
This product can be used to comply with California Appliance Efficiency Standards 2016 Title 20 and may be shipped to and sold in California.			

* If a light fixture or component does not include a lamp or light source, it is the responsibility of the customer to select a lamp that meets the T24 and T20 requirements.

