

# ORBEL PYRAMID PENDANT

## PRODUCT FEATURES

- Inspired by Mid-Century modern art, the Orbel pyramid encompasses a frosted sphere of light
- 18" wide and available in three modern finishes, aged brass, matte black and polished nickel
- Complete the look with other fixtures in the Orbel family, such as the wall sconce, flush mount, bath light and round pendant
- Fixture provided with six feet of field-cutable black cloth cord
- Lamping options are compatible with most dimmers
- Protected by a 1-year warranty. please visit the "About Us" Page on [techlighting.com](http://techlighting.com) for more for warranty details



Aged Brass

## LAMPING

(No Lamp) Rated for rated for (1) 5 watt max. G9 Bi-Pin lamp (Not Included). LED includes 5 watt, 399.8 total delivered lumens, 3000K, LED G9 Bi-Pin lamp. Dimmable with most LED compatible ELV and TRIAC dimmers. Fixture provided with six feet of field-cutable black cloth cord.



Aged Brass



Polished Nickel



Matte Black

## ORDERING INFORMATION

700	SYSTEM	OBLP	FINISH	LAMP
	TD LINE-VOLTAGE PENDANTS/SUSPENSION		R AGED BRASS B MATTE BLACK N POLISHED NICKEL	NO LAMP -LED930 BI-PIN G9 LED 90 CRI 3000K 120V (T20/T24)

700 \_\_\_\_\_ OBLP \_\_\_\_\_

JOB NAME \_\_\_\_\_

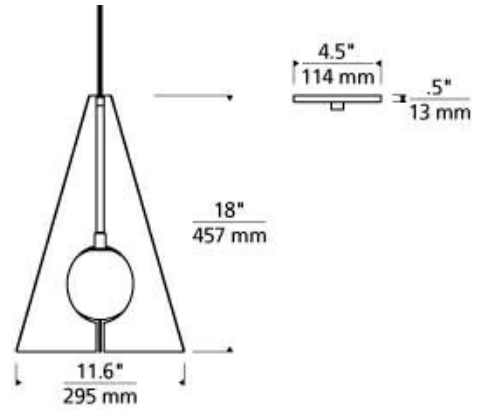
NOTES \_\_\_\_\_  
 \_\_\_\_\_  
 \_\_\_\_\_



# ORBEL PYRAMID PENDANT

## SPECIFICATIONS

HARDWARE MATERIAL	Metal
SHADE MATERIAL	Glass
NET WEIGHT	5 lbs
HEIGHT	18in
WIDTH	11.6in
LENGTH	11.6in
UP LIGHT / DOWN LIGHT / BOTH?	
WET LISTED	
DAMP LISTED	Yes
DRY LISTED	
MIN. HANGING HEIGHT	24.5in
MAX HANGING HEIGHT	90.5in
TOTAL CORD LENGTH	72in
TOTAL STEM LENGTH	
STEM QTY	
SLOPED CEILING ADAPTABLE?	
GENERAL LISTING	
INCLUDES	



## LAMPING SPECIFICATIONS

	LED LAMP	INTEGRATED LED	NON LED	NO LAMP
DELIVERED LUMENS	303			
WATTS	5			
MAX WATTAGE PER BULB	5W		5W	
INPUT VOLTAGE	120V		120V	
DIMMING TYPE*	ELV, TRIAC		ELV, TRIAC	
CCT	3000K			
CRI	90 CRI			
LED LIFETIME				
L70				
AVERAGE BULB HOURS	25000			
FIELD SERVICEABLE LED				
LAMP BASE	LED Bi-Pin		LED Bi-Pin	
LAMP SHAPE	T8		T8	
LAMP INCLUDED?	Y		Y	
WARRANTY**	1 Year		1 Year	

\* Dimming information available at [www.techlighting.com/Downloads#dimming](http://www.techlighting.com/Downloads#dimming)

\*\* Visit [techlighting.com](http://techlighting.com) for specific warranty limitations and details.

## T20 / T24 INFORMATION

	Integrated LED	Replacement LED Lamp	No Lamp *
This product can be used to comply with California Building Energy Efficiency Standards 2016 Title 24 Part 6.		Yes	N/A
This product can be used to comply with California Appliance Efficiency Standards 2016 Title 20 and may be shipped to and sold in California.		Yes	N/A

\* If a light fixture or component does not include a lamp or light source, it is the responsibility of the customer to select a lamp that meets the T24 and T20 requirements.

