

# LOTUS ROUND 7 CEILING

## PRODUCT FEATURES

- 90 CRI Title 24 compliant technology provides near sunlight quality light for true color rendering and consistency inside your home
- New Construction (3"/4" Round, 4" Square/Octagonal, 4" Pancake)
- Available in three sizes, 5", 7" and 12" diameter
- Wet Rated for outdoor or shower use
- Designed for continuous dimming down to 10%
- Protected by a 5-year warranty. please visit the "About Us" Page on [techlighting.com](http://techlighting.com) for more for warranty details



## LAMPING

Includes 15 watt, 850 delivered lumens, 3000K LED module. Dimmable with most LED compatible ELV or Triac dimmers. Can be mounted on wall or ceiling.

White



White

## ORDERING INFORMATION

700FMLTS	SHAPE OR SIZE	LENGTH (A)	FINISH	LAMP
	R ROUND	7 7"	W WHITE	-LED930 INTEGRATED LED 90 CRI 3000K 120V (T24)

700FMLTS \_\_\_\_\_

JOB NAME \_\_\_\_\_

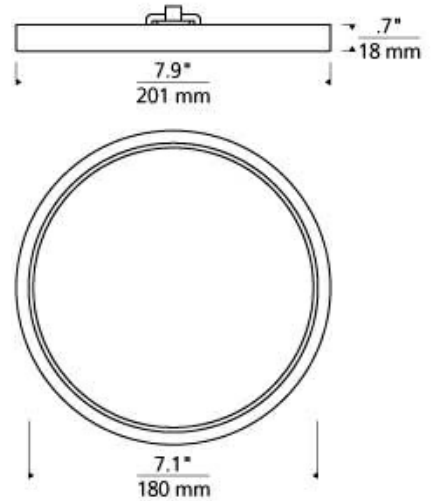
NOTES \_\_\_\_\_  
\_\_\_\_\_  
\_\_\_\_\_



# LOTUS ROUND 7 CEILING

## SPECIFICATIONS

HARDWARE MATERIAL	Metal
SHADE MATERIAL	Acrylic
NET WEIGHT	0.5 lbs
HEIGHT	0.7in
WIDTH	7.9in
LENGTH	7.9in
UP LIGHT / DOWN LIGHT / BOTH?	
WET LISTED	
DAMP LISTED	Yes
DRY LISTED	
WALL / CEILING MOUNT	
GENERAL LISTING	
INCLUDES	



## LAMPING SPECIFICATIONS

	LED LAMP	INTEGRATED LED	NON LED	NO LAMP
DELIVERED LUMENS		850		
WATTS		15		
MAX WATTAGE PER BULB		15W		
INPUT VOLTAGE		120V		
DIMMING TYPE*		ELV, TRIAC		
CCT		3000K		
CRI		90 CRI		
LED LIFETIME				
L70				
AVERAGE BULB HOURS		50000		
FIELD SERVICEABLE LED				
LAMP BASE		Integrated LED		
LAMP SHAPE		T3		
LAMP INCLUDED?		Y		
WARRANTY**		5 Years		

\* Dimming information available at [www.techlighting.com/Downloads#dimming](http://www.techlighting.com/Downloads#dimming)  
 \*\* Visit [techlighting.com](http://techlighting.com) for specific warranty limitations and details.

## T20 / T24 INFORMATION

	Integrated LED	Replacement LED Lamp	No Lamp *
This product can be used to comply with California Building Energy Efficiency Standards 2016 <b>Title 24</b> Part 6.	Yes		
This product can be used to comply with California Appliance Efficiency Standards 2016 <b>Title 20</b> and may be shipped to and sold in California.	N/A		

\* If a light fixture or component does not include a lamp or light source, it is the responsibility of the customer to select a lamp that meets the T24 and T20 requirements.

