

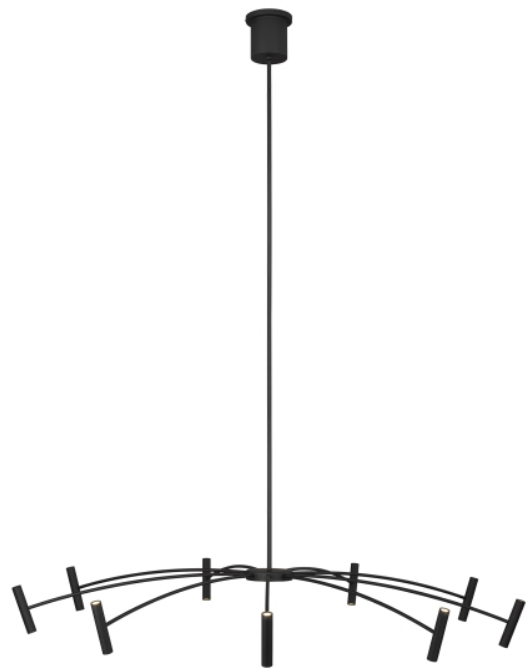
AERIAL 55 CHANDELIER

PRODUCT FEATURES

- Arched rods support cylindrical LED heads which produce up and down light
- Available in matte black and aged brass finishes in two sizes, 40" and 55" diameter
- Larger 60" diameter Aerial chandelier available
- Can be installed on a sloped ceiling up to 45°
- Lamping options are compatible with most dimmers
- Protected by a 5-year warranty. please visit the "About Us" Page on techlighting.com for more for warranty details

LAMPING

Includes 120 volt 42.7 watts, 2998.8 total delivered lumens, 3000K LED modules. Dimmable with most LED compatible ELV and TRIAC dimmers. Ships with (4) 12in and (2) 6in rigid stems in coordinating finish. Can be installed on a sloped ceiling up to 45°.



Matte Black



Aged Brass

Matte Black

ORDERING INFORMATION

700ARL	LENGTH (A)	FINISH	LAMP
	55 55"	R AGED BRASS B MATTE BLACK	-LED930 INTEGRATED LED 90 CRI 3000K 120V (T20/T24)

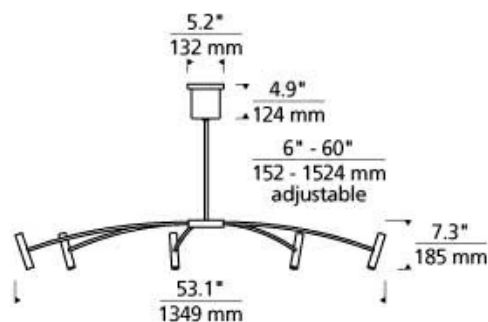
700ARL _____
JOB NAME _____
NOTES _____



AERIAL 55 CHANDELIER

SPECIFICATIONS

HARDWARE MATERIAL	Metal
SHADE MATERIAL	Aluminum
NET WEIGHT	10 lbs
HEIGHT	7in
WIDTH	53.1in
LENGTH	53.1in
UP LIGHT / DOWN LIGHT / BOTH?	
WET LISTED	
DAMP LISTED	Yes
DRY LISTED	
MIN. HANGING HEIGHT	17.9in
MAX HANGING HEIGHT	71.9in
TOTAL CORD LENGTH	
TOTAL STEM LENGTH	Up to 60in
STEM QTY	6
SLOPED CEILING ADAPTABLE?	Yes
GENERAL LISTING	ETL Listed
INCLUDES	



LAMPING SPECIFICATIONS

	LED LAMP	INTEGRATED LED	NON LED	NO LAMP
DELIVERED LUMENS		2953		
WATTS		2.4		
MAX WATTAGE PER BULB		42.7W		
INPUT VOLTAGE		120V		
DIMMING TYPE*		ELV, TRIAC		
CCT		3000K		
CRI		90 CRI		
LED LIFETIME				
L70				
AVERAGE BULB HOURS		50000		
FIELD SERVICEABLE LED				
LAMP BASE		Integrated LED		
LAMP SHAPE		Integrated LED		
LAMP INCLUDED?		Y		
WARRANTY**		5 Years		

*Dimming information available at www.techlighting.com/Downloads#dimming
 ** Visit techlighting.com for specific warranty limitations and details.

T20 / T24 INFORMATION

	Integrated LED	Replacement LED Lamp	No Lamp *
This product can be used to comply with California Building Energy Efficiency Standards 2016 Title 24 Part 6.			
This product can be used to comply with California Appliance Efficiency Standards 2016 Title 20 and may be shipped to and sold in California.			

* If a light fixture or component does not include a lamp or light source, it is the responsibility of the customer to select a lamp that meets the T24 and T20 requirements.

