

PRODUCT FEATURES

- Sleek, minimalist bath bar design with frosted acrylic diffuser and cleverly hidden hardware which ensures a clean look
- High performance, energy efficient integrated LED light source with choice of 2,700K or 3,000K Color Temp and 90 CRI
- Fully dimmable with most ELV dimmers to create just the right atmosphere
- Damp rated for use in covered, damp areas like bathrooms
- Ideal for commercial use since ADA compliant and available with 277v lamping
- Protected by a 5-year warranty



LAMPING

LED includes 36 watt 1639 delivered lumens 90 CRI 2700K or 3000K LED module. Dimmable with a low-voltage electronic dimmer. Mounts vertically or horizontally. ADA compliant. 120v or 277v.

Satin Nickel



Polished Chrome

Satin Nickel

ORDERING INFORMATION

700BCSTLE	LENGTH (A)	FINISH	LAMP
	36 36"	C CHROME	-LED927 LED 90 CRI 2700K 120V
		S SATIN NICKEL	-LED927-277 LED 90 CRI 2700K 277V
			-LED930 LED 90 CRI 3000K 120V
			-LED930-277 LED 90 CRI 3000K 277V

700BCSTLE _____

JOB NAME _____

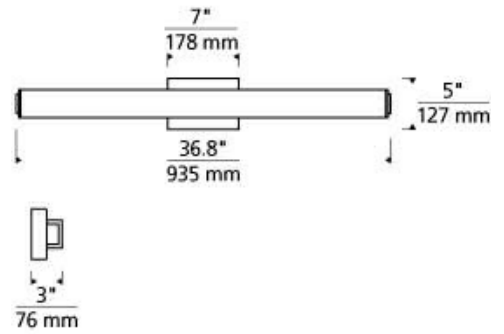
NOTES _____



STEELE 36 BATH

SPECIFICATIONS

HARDWARE MATERIAL	Metal
SHADE MATERIAL	Acrylic
NET WEIGHT	3.5 lbs
HEIGHT	5in
WIDTH	3.02in
LENGTH	36.9in
WET LISTED	
DAMP LISTED	Yes
DRY LISTED	
GENERAL LISTING	
INCLUDES	



LAMPING SPECIFICATIONS

	LED LAMP	INTEGRATED LED	NON LED	NO LAMP
DELIVERED LUMENS		1639		
WATTS		36		
MAX WATTAGE PER BULB		36W		
INPUT VOLTAGE		120V 277V		
DIMMING TYPE*		ELV		
CCT		3000K 2700K		
CRI		90 CRI		
LED LIFETIME				
L70				
AVERAGE BULB HOURS		35000		
FIELD SERVICEABLE LED				
LAMP BASE		Integrated LED		
LAMP SHAPE		T3		
LAMP INCLUDED?		Y		
WARRANTY**		5 Years		

* Dimming information available at www.techlighting.com/Downloads#dimming

** Visit techlighting.com for specific warranty limitations and details.

T20 / T24 INFORMATION

	Integrated LED	Replacement LED Lamp	No Lamp *
This product can be used to comply with California Building Energy Efficiency Standards 2016 Title 24 Part 6.	Yes		
This product can be used to comply with California Appliance Efficiency Standards 2016 Title 20 and may be shipped to and sold in California.	N/A		

* If a light fixture or component does not include a lamp or light source, it is the responsibility of the customer to select a lamp that meets the T24 and T20 requirements.

