

# MATI F16 PENDANT

## PRODUCT FEATURES

- Flared, cylindrical pendant made of hand-blown glass, opaque white or clear smoke. large scale ideal for residential or commercial spaces
- Recommended lamping is 1 medium based bulb with 75w maximum each (purchased separately). Order with optional 9.5 watt LED A19 bulb for enhanced energy efficiency
- Fully dimmable with most dimmers to create just the right atmosphere
- California Title 24 compliant when used with JAB or JAB-E approved light bulbs
- 10ft of field cuttable cable included to customize installation height
- Protected by a 1-year warranty



## LAMPING

Includes 10' of field-cuttable cable. Available with or without lamp. E26 medium base socket 75w max. LED version includes (1) 9.5 watt 294 delivered lumens 90CRI 2700K LED A19. Dimmable with a low-voltage electronic dimmer. 120v.

White



Smoke

White

## ORDERING INFORMATION

700TDMATIF COLOR	FINISH	LAMP
K SMOKE W WHITE	S SATIN NICKEL	NO LAMP -LED927 A19 LED 90 CRI 2700K 120V (T20/T24)

700TDMATIF \_\_\_\_\_

JOB NAME \_\_\_\_\_

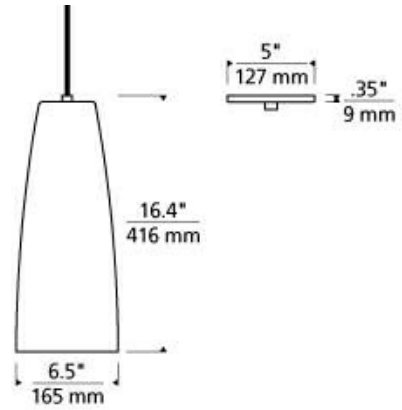
NOTES \_\_\_\_\_



# MATI F16 PENDANT

## SPECIFICATIONS

HARDWARE MATERIAL	Metal
SHADE MATERIAL	Glass
NET WEIGHT	5.5 lbs
HEIGHT	16.4in
WIDTH	6.5in
LENGTH	6.5in
UP LIGHT / DOWN LIGHT / BOTH?	
WET LISTED	
DAMP LISTED	Yes
DRY LISTED	
MIN. HANGING HEIGHT	23in
MAX HANGING HEIGHT	136in
TOTAL CORD LENGTH	120in
TOTAL STEM LENGTH	
STEM QTY	
SLOPED CEILING ADAPTABLE?	
GENERAL LISTING	
INCLUDES	



## LAMPING SPECIFICATIONS

	LED LAMP	INTEGRATED LED	NON LED	NO LAMP
DELIVERED LUMENS	294			
WATTS	9.5			
MAX WATTAGE PER BULB	75W		75W	
INPUT VOLTAGE	120V		120V	
DIMMING TYPE*	ELV, TRIAC		ELV, TRIAC	
CCT	2700K			
CRI	90 CRI			
LED LIFETIME				
L70				
AVERAGE BULB HOURS	25000			
FIELD SERVICEABLE LED				
LAMP BASE	E26 Medium Base		E26 Medium Base	
LAMP SHAPE	T6		T6	
LAMP INCLUDED?	Y		Y	
WARRANTY**	1 Year		1 Year	

\* Dimming information available at [www.techlighting.com/Downloads#dimming](http://www.techlighting.com/Downloads#dimming)

\*\* Visit [techlighting.com](http://techlighting.com) for specific warranty limitations and details.

## T20 / T24 INFORMATION

	Integrated LED	Replacement LED Lamp	No Lamp *
This product can be used to comply with California Building Energy Efficiency Standards 2016 <b>Title 24</b> Part 6.		Yes	N/A
This product can be used to comply with California Appliance Efficiency Standards 2016 <b>Title 20</b> and may be shipped to and sold in California.		Yes	N/A

\* If a light fixture or component does not include a lamp or light source, it is the responsibility of the customer to select a lamp that meets the T24 and T20 requirements.

