

MALENA LARGE PENDANT

PRODUCT FEATURES

- Otherworldly ornate designed pearl glass orbs
- Convenient swivel canopy easily adjusts to makes sloped ceilings accessible
- Complementary 1-Light pendant and 3-Light chandelier also available by Tech Lighting
- Compatible with a Medium Base Candelabra lamp
- Ideal for dining rooms, conference rooms and various commercial applications
- 1 year warranty with no lamping option. 1 year warranty with LED lamping option, visit techlighting.com for more warranty details



Pearl Bubble

LAMPING

Available with or without lamp. E26 medium base socket 60w max. LED version includes (1) 10 watt 690 delivered lumens 90CRI 2700K LED A19. Dimmable with most LED compatible ELV and TRIAC dimmers. 120v. Includes 10' of field-cuttable cable.



Pearl Bubble

Pearl Bubble

ORDERING INFORMATION

700TDMNLALCOLOR	FINISH	LAMP
PB PEARL BUBBLE	Z ANTIQUE BRONZE	NO LAMP -LED927 T6 LED 90 CRI 2700K 120V (T20/T24)

700TDMNLAL _____

JOB NAME _____

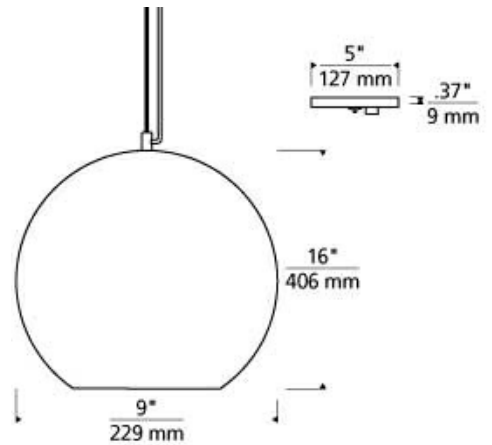
NOTES _____



MALENA LARGE PENDANT

SPECIFICATIONS

HARDWARE MATERIAL	Metal
SHADE MATERIAL	Glass
NET WEIGHT	11 lbs
HEIGHT	16in
WIDTH	16in
LENGTH	16in
UP LIGHT / DOWN LIGHT / BOTH?	
WET LISTED	
DAMP LISTED	Yes
DRY LISTED	
MIN. HANGING HEIGHT	22.5in
MAX HANGING HEIGHT	136.5in
TOTAL CORD LENGTH	120in
TOTAL STEM LENGTH	
STEM QTY	
SLOPED CEILING ADAPTABLE?	
GENERAL LISTING	
INCLUDES	



LAMPING SPECIFICATIONS

	LED LAMP	INTEGRATED LED	NON LED	NO LAMP
DELIVERED LUMENS	690			
WATTS	10			
MAX WATTAGE PER BULB	60W		60W	
INPUT VOLTAGE	120V		120V	
DIMMING TYPE*	ELV, TRIAC		ELV, TRIAC	
CCT	2700K			
CRI	90 CRI			
LED LIFETIME				
L70				
AVERAGE BULB HOURS	25000			
FIELD SERVICEABLE LED				
LAMP BASE	E26 Medium Base		E26 Medium Base	
LAMP SHAPE	T6		T6	
LAMP INCLUDED?	Y		Y	
WARRANTY**	1 Year		1 Year	

*Dimming information available at www.techlighting.com/Downloads#dimming

** Visit techlighting.com for specific warranty limitations and details.

T20 / T24 INFORMATION

	Integrated LED	Replacement LED Lamp	No Lamp *
This product can be used to comply with California Building Energy Efficiency Standards 2016 Title 24 Part 6.		Yes	N/A
This product can be used to comply with California Appliance Efficiency Standards 2016 Title 20 and may be shipped to and sold in California.		Yes	N/A

* If a light fixture or component does not include a lamp or light source, it is the responsibility of the customer to select a lamp that meets the T24 and T20 requirements.

