

PRODUCT FEATURES

- Inspired by bustling post-war factories
- Features clean and contemporary crisp lines
- Complementary Denton 48 also available from Tech Lighting
- Ideal for vanity lighting and bathroom lighting
- Fully dimmable LED lamping option creates the desired ambiance in your unique space
- Protected by a 5-year warranty



LAMPING

Mounts vertically or horizontally. Includes (1) 20 watt 1400 lumen 80 CRI 3000K LED module. ADA compliant. Dimmable with a low-voltage electronic dimmer. 120v or 277v.

Satin Nickel



Satin Nickel

ORDERING INFORMATION

700BCDEN	LENGTH (A)	FINISH	LAMP
	24 24"	S SATIN NICKEL	-LED LED 80 CRI 3000K 120V -LED277 LED 80 CRI 3000K 277V

700BCDEN _____

JOB NAME _____

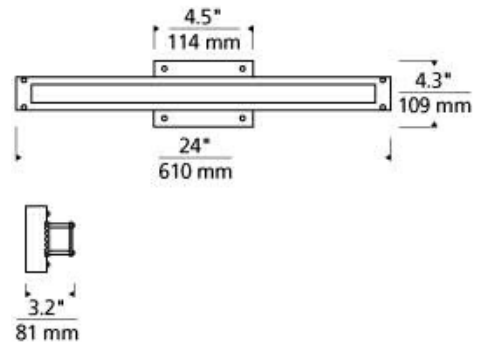
NOTES _____



DENTON 24 BATH

SPECIFICATIONS

HARDWARE MATERIAL	
SHADE MATERIAL	
NET WEIGHT	4 lbs
HEIGHT	4.3in
WIDTH	3.2in
LENGTH	24in
WET LISTED	
DAMP LISTED	Yes
DRY LISTED	
GENERAL LISTING	
INCLUDES	



LAMPING SPECIFICATIONS

	LED LAMP	INTEGRATED LED	NON LED	NO LAMP
DELIVERED LUMENS		1400		
WATTS		20		
MAX WATTAGE PER BULB		20W		
INPUT VOLTAGE		120V 277V		
DIMMING TYPE*		ELV, TRIAC 0-10V		
CCT		3000K		
CRI		80 CRI		
LED LIFETIME				
L70				
AVERAGE BULB HOURS		50000		
FIELD SERVICEABLE LED				
LAMP BASE		Integrated LED		
LAMP SHAPE		T3		
LAMP INCLUDED?		Y		
WARRANTY**		5 Years		

* Dimming information available at www.techlighting.com/Downloads#dimming

** Visit techlighting.com for specific warranty limitations and details.

T20 / T24 INFORMATION

	Integrated LED	Replacement LED Lamp	No Lamp *
This product can be used to comply with California Building Energy Efficiency Standards 2016 Title 24 Part 6.	No		
This product can be used to comply with California Appliance Efficiency Standards 2016 Title 20 and may be shipped to and sold in California.	N/A		

* If a light fixture or component does not include a lamp or light source, it is the responsibility of the customer to select a lamp that meets the T24 and T20 requirements.

