

SOPRA PENDANT

PRODUCT FEATURES

- Elegantly crafted laser etched pure optic crystal
- Minimalist socket and canopy with concealed LED lamping
- Fully dimmable integrated LED lamp
- Available in two on-trend finishes, Chrome and Satin Nickel
- Ideal for kitchen lighting, bedroom lighting and hallway lighting applications
- Protected by a 5-year warranty



LAMPING

Includes 120v 14.5 watt, 130 delivered lumens, 3000K LED module. Dimmable with low-voltage electronic or triac dimmer. Fixture provided with twelve feet of field cuttable cable.

Clear 3-Light



ORDERING INFORMATION

700	SYSTEM	SPRP	SHAPE OR SIZE	COLOR	FINISH	LAMP	
	TD LINE-VOLTAGE PENDANTS/SUSPENSION		1 1-LITE PENDANT	C CLEAR B BLACK I BLACK/WHITE	R AGED BRASS	- LED922	INTEGRATED LED 90 CRI 2200K 120V (T24)
			3 3-LITE CHANDELIER	U BLUE P COPPER Y GRAY O ORANGE R RED W WHITE	B BLACK S SATIN NICKEL	- LED930 - LEDWD 3000-2200K 120V (T24) - LEDWD 2200K 120V	INTEGRATED LED 90 CRI 3000K 120V (T24) INTEGRATED 90 CRI WARM COLOR DIMMING LED 90 CRI WARM COLOR DIMMING 3000K-

700 _____ SPRP _____

JOB NAME _____

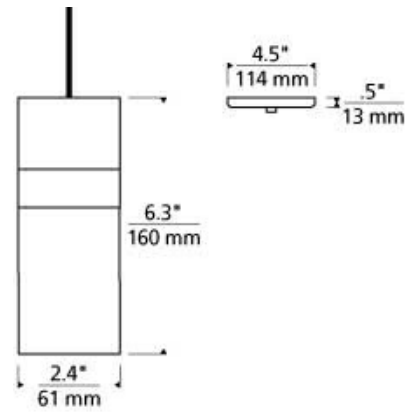
NOTES _____



SOPRA PENDANT

SPECIFICATIONS

HARDWARE MATERIAL	Metal
SHADE MATERIAL	Glass
NET WEIGHT	2.0 lbs
HEIGHT	6.3in
WIDTH	2.4in
LENGTH	2.4in
UP LIGHT / DOWN LIGHT / BOTH?	
WET LISTED	
DAMP LISTED	Yes
DRY LISTED	
MIN. HANGING HEIGHT	6.3in
MAX HANGING HEIGHT	6.3in
TOTAL CORD LENGTH	144in
TOTAL STEM LENGTH	
STEM QTY	
SLOPED CEILING ADAPTABLE?	
GENERAL LISTING	
INCLUDES	



LAMPING SPECIFICATIONS

	LED LAMP	INTEGRATED LED	NON LED	NO LAMP
DELIVERED LUMENS		130		
WATTS		14.5		
MAX WATTAGE PER BULB		14.5W		
INPUT VOLTAGE		120V		
DIMMING TYPE*		ELV		
CCT		Clear : 2200K Clear : 3000K Clear : 3000K-2200K		
CRI		90 CRI		
LED LIFETIME				
L70				
AVERAGE BULB HOURS		30000		
FIELD SERVICEABLE LED				
LAMP BASE		Integrated LED		
LAMP SHAPE		T3		
LAMP INCLUDED?		Y		
WARRANTY**		5 Years		

* Dimming information available at www.techlighting.com/Downloads#dimming

** Visit techlighting.com for specific warranty limitations and details.

T20 / T24 INFORMATION

	Integrated LED	Replacement LED Lamp	No Lamp *
This product can be used to comply with California Building Energy Efficiency Standards 2016 Title 24 Part 6.	Yes		
This product can be used to comply with California Appliance Efficiency Standards 2016 Title 20 and may be shipped to and sold in California.	N/A		

* If a light fixture or component does not include a lamp or light source, it is the responsibility of the customer to select a lamp that meets the T24 and T20 requirements.

