

## PRODUCT FEATURES

- Geometric modern interpretation of tree branches
- Creates a playful motif in any space
- Fully dimmable integrated LED lamp
- Complementary Aeon linear suspension, wall mount and flush mount fixtures also available by Tech Lighting
- Ideal for dining room, living room and foyer lighting applications
- 5 year warranty with no lamping option. 5 year warranty with LED lamping option, visit [techlighting.com](http://techlighting.com) for more warranty details

## LAMPING

Includes 10.3 watt, 591 delivered lumens, 3000K LED linear modules. Dimmable with low-voltage electronic or triac dimmer.



Matte Black



Matte Black



Matte White

## ORDERING INFORMATION

### 700WSAEON FINISH

B MATTE BLACK

### LAMP

-LED930 LED 90 CRI 3000K 120V

Wall has arms that can pivot 90° (perpendicular to the wall, pivoting upwards), as well as being able to rotate 355°).

700WSAEON \_\_\_\_\_

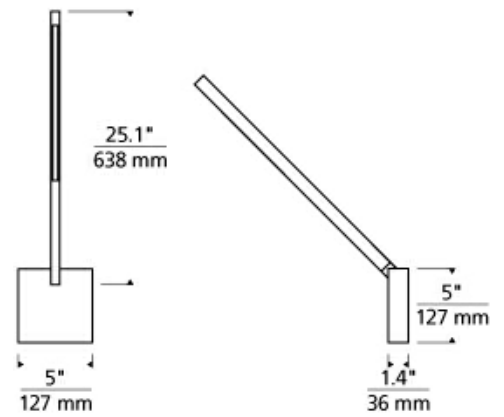
JOB NAME \_\_\_\_\_

NOTES \_\_\_\_\_



## SPECIFICATIONS

HARDWARE MATERIAL	Metal
SHADE MATERIAL	Acrylic
NET WEIGHT	1.5 lbs
HEIGHT	25.1in
WIDTH	25.1in
LENGTH	5in
MIN. EXTENSION FROM WALL	1.4in
UP LIGHT / DOWN LIGHT / BOTH?	
WET LISTED	
DAMP LISTED	
DRY LISTED	
UP / DOWN	
HORIZONTAL / VERTICAL	
WALL / CEILING MOUNT	
GENERAL LISTING	
ADA COMPLIANT	
INCLUDES	



## LAMPING SPECIFICATIONS

	LED LAMP	INTEGRATED LED	NON LED	NO LAMP
DELIVERED LUMENS				
WATTS		10.3		
MAX WATTAGE PER BULB		10.3W		
INPUT VOLTAGE		120V		
DIMMING TYPE*		ELV, TRIAC		
CCT		3000K		
CRI		90 CRI		
LED LIFETIME				
L70				
AVERAGE BULB HOURS		50000		
FIELD SERVICEABLE LED				
LAMP BASE		Integrated LED		
LAMP SHAPE		T3		
LAMP INCLUDED?		Y		
WARRANTY**		5 Years		

\*Dimming information available at [www.techlighting.com/Downloads#dimming](http://www.techlighting.com/Downloads#dimming)

\*\* Visit [techlighting.com](http://techlighting.com) for specific warranty limitations and details.

## T20 / T24 INFORMATION

	Integrated LED	Replacement LED Lamp	No Lamp *
This product can be used to comply with California Building Energy Efficiency Standards 2016 Title 24 Part 6.	Yes		
This product can be used to comply with California Appliance Efficiency Standards 2016 Title 20 and may be shipped to and sold in California.	N/A		

\* If a light fixture or component does not include a lamp or light source, it is the responsibility of the customer to select a lamp that meets the T24 and T20 requirements.

