

# AEON LARGE FLUSH MOUNT

## PRODUCT FEATURES

- Geometric modern interpretation of tree branches
- Creates a playful motif in any space
- Fully dimmable integrated LED lamp
- Complementary Aeon linear suspension, wall mount and flush mount fixtures also available by Tech Lighting
- Ideal for dining room, living room and foyer lighting applications
- 1 year warranty with no lamping option. 5 year warranty with LED lamping option



## LAMPING

Includes 120-277v universal 60 watt, 3360 delivered lumens, 3000K LED linear modules. Dimmable with low-voltage electronic, triac, or 0-10v dimmer.

Matte Black



Matte White

Matte Black

## ORDERING INFORMATION

700FMAEON LENGTH (A)	FINISH	LAMP
75 75"	B MATTE BLACK W MATTE WHITE	-LED930 LED 90 CRI 3000K 120V-277 UNV

Flushmounts have arms that can pivot 90° (parallel to the ceiling, pivoting downwards).

700FMAEON \_\_\_\_\_

JOB NAME \_\_\_\_\_

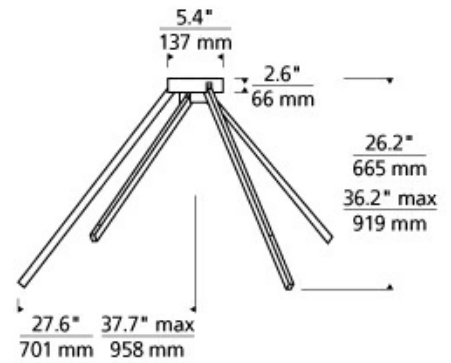
NOTES \_\_\_\_\_



# AEON LARGE FLUSH MOUNT

## SPECIFICATIONS

HARDWARE MATERIAL	Metal
SHADE MATERIAL	Acrylic
NET WEIGHT	5.5 lbs
HEIGHT	36.2in
WIDTH	48.3in
LENGTH	48.3in
UP LIGHT / DOWN LIGHT / BOTH?	
WET LISTED	
DAMP LISTED	
DRY LISTED	
WALL / CEILING MOUNT	
GENERAL LISTING	
INCLUDES	



## LAMPING SPECIFICATIONS

	LED LAMP	INTEGRATED LED	NON LED	NO LAMP
DELIVERED LUMENS		3360		
WATTS		3.5		
MAX WATTAGE PER BULB		60W		
INPUT VOLTAGE		Universal 120V-277V		
DIMMING TYPE*		0-10, ELV, TRIAC		
CCT		3000K		
CRI		90 CRI		
LED LIFETIME				
L70				
AVERAGE BULB HOURS		50000		
FIELD SERVICEABLE LED				
LAMP BASE		Integrated LED		
LAMP SHAPE		T3		
LAMP INCLUDED?		Y		
WARRANTY**		5 Years		

\*Dimming information available at [www.techlighting.com/Downloads#dimming](http://www.techlighting.com/Downloads#dimming)

\*\* Visit [techlighting.com](http://techlighting.com) for specific warranty limitations and details.

## T20 / T24 INFORMATION

	Integrated LED	Replacement LED Lamp	No Lamp *
This product can be used to comply with California Building Energy Efficiency Standards 2016 <b>Title 24</b> Part 6.	Yes		
This product can be used to comply with California Appliance Efficiency Standards 2016 <b>Title 20</b> and may be shipped to and sold in California.	N/A		

\* If a light fixture or component does not include a lamp or light source, it is the responsibility of the customer to select a lamp that meets the T24 and T20 requirements.

