

AEON SMALL FLUSH MOUNT

PRODUCT FEATURES

- Geometric modern interpretation of tree branches
- Creates a playful motif in any space
- Fully dimmable integrated LED lamp
- Complementary Aeon linear suspension, wall mount and flush mount fixtures also available by Tech Lighting
- Ideal for dining room, living room and foyer lighting applications
- 1 year warranty with no lamping option. 5 year warranty with LED lamping option, visit techlighting.com for more warranty details



LAMPING

Includes 50 watt, 2924 delivered lumens, 3000K LED linear modules. Dimmable with low-voltage electronic, triac, or 0-10v dimmer.

Matte Black



Matte Black

Matte White

ORDERING INFORMATION

700FMAEON LENGTH (A)	FINISH	LAMP
40 40"	B MATTE BLACK W MATTE WHITE	-LED930 LED 90 CRI 3000K 120V-277 UNV

Flushmounts have arms that can pivot 90° (parallel to the ceiling, pivoting downwards).

700FMAEON _____

JOB NAME _____

NOTES _____

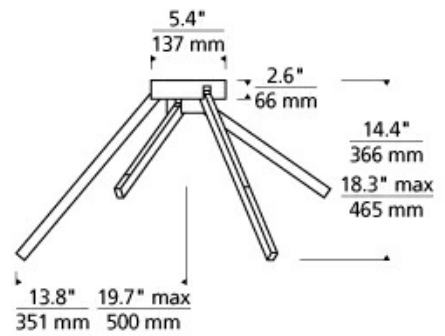


AEON SMALL FLUSH MOUNT



SPECIFICATIONS

HARDWARE MATERIAL	Metal
SHADE MATERIAL	Acrylic
NET WEIGHT	4.0 lbs
HEIGHT	18.2in
WIDTH	23.2in
LENGTH	23.2in
UP LIGHT / DOWN LIGHT / BOTH?	
WET LISTED	
DAMP LISTED	
DRY LISTED	
WALL / CEILING MOUNT	
GENERAL LISTING	
INCLUDES	



LAMPING SPECIFICATIONS

	LED LAMP	INTEGRATED LED	NON LED	NO LAMP
DELIVERED LUMENS		2924		
WATTS		3.5		
MAX WATTAGE PER BULB		50W		
INPUT VOLTAGE		Universal 120V-277V		
DIMMING TYPE*		0-10, ELV, TRIAC		
CCT		3000K		
CRI		90 CRI		
LED LIFETIME				
L70				
AVERAGE BULB HOURS		50000		
FIELD SERVICEABLE LED				
LAMP BASE		Integrated LED		
LAMP SHAPE		T3		
LAMP INCLUDED?		Y		
WARRANTY**		5 Years		

* Dimming information available at www.techlighting.com/Downloads#dimming

** Visit techlighting.com for specific warranty limitations and details.

T20 / T24 INFORMATION

	Integrated LED	Replacement LED Lamp	No Lamp *
This product can be used to comply with California Building Energy Efficiency Standards 2016 Title 24 Part 6.	Yes		
This product can be used to comply with California Appliance Efficiency Standards 2016 Title 20 and may be shipped to and sold in California.	N/A		

* If a light fixture or component does not include a lamp or light source, it is the responsibility of the customer to select a lamp that meets the T24 and T20 requirements.

