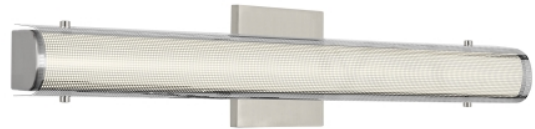


PRODUCT FEATURES

- Elegant and perfectly crafted hand-blown Italian glass shade
- Can be combined with the Quatnik pendant for a wholly different appearance
- Complementary Cuneo and Palla shades also available by Tech Lighting
- Available finish options include Satin Nickel or Aged Brass
- Glass options include, traditional clear or contemporary smoke glass
- 1 year warranty with no lamping option, visit techlighting.com for more warranty details



LAMPING

Perforated Metal version includes 20 watt, 743 delivered lumens, 3000K LED linear modules. Glass version includes 20 watt, 1487 delivered lumens, 3000K LED linear modules. Dimmable with low-voltage electronic dimmer. ADA compliant.

Metal



Metal

White Glass

ORDERING INFORMATION

700BCZKA	LENGTH (A)	COLOR	FINISH	LAMP
	24 24"	T PERFORATED METAL W WHITE GLASS	C CHROME S SATIN NICKEL	-LED930 LED 90 CRI 3000K 120V (T24) -LED930-277 LED 90 CRI 3000K 120V (T24)

700BCZKA _____

JOB NAME _____

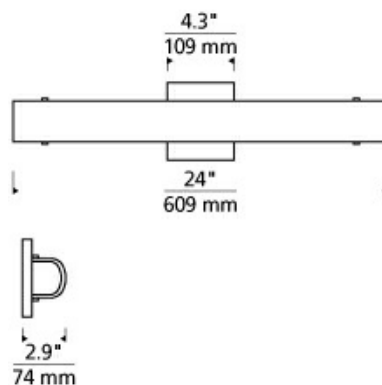
NOTES _____



ZUKA 24 BATH

SPECIFICATIONS

HARDWARE MATERIAL	Metal
SHADE MATERIAL	Glass
NET WEIGHT	3.0 lbs
HEIGHT	5in
WIDTH	2.8in
LENGTH	24in
WET LISTED	
DAMP LISTED	Yes
DRY LISTED	
GENERAL LISTING	
INCLUDES	



LAMPING SPECIFICATIONS

	LED LAMP	INTEGRATED LED	NON LED	NO LAMP
DELIVERED LUMENS		1487		
WATTS		20		
MAX WATTAGE PER BULB		20W		
INPUT VOLTAGE		120V 277V		
DIMMING TYPE*		Perforated Metal, White Glass : ELV, TRIAC Perforated Metal, White Glass : 0-10V		
CCT		3000K		
CRI		90 CRI		
LED LIFETIME				
L70				
AVERAGE BULB HOURS		50000		
FIELD SERVICEABLE LED				
LAMP BASE		Integrated LED		
LAMP SHAPE		T3		
LAMP INCLUDED?		Y		
WARRANTY**		5 Years		

* Dimming information available at www.techlighting.com/Downloads#dimming

** Visit techlighting.com for specific warranty limitations and details.

T20 / T24 INFORMATION

	Integrated LED	Replacement LED Lamp	No Lamp *
This product can be used to comply with California Building Energy Efficiency Standards 2016 Title 24 Part 6.	Yes		
This product can be used to comply with California Appliance Efficiency Standards 2016 Title 20 and may be shipped to and sold in California.	N/A		

* If a light fixture or component does not include a lamp or light source, it is the responsibility of the customer to select a lamp that meets the T24 and T20 requirements.

