

PRODUCT FEATURES

- Premium quality construction and light output with your choice of on-trend finishes
- Mounts horizontally or vertically for added versatility
- Four length options including 15.3" 23" 30.2" 37.5"
- Fully dimmable LED lamping options to create the desired ambiance
- High quality, long-lasting integrated LED lamping included to save you time and money
- Protected by a 5-year warranty, please visit www.techlighting.com for details



LAMPING

Includes 30 watt, 1290 delivered lumen, 2700K LED module. Mounts horizontally or vertically. ADA compliant. Dimmable with low-voltage electronic dimmer.

Chrome



Chrome

Satin Nickel

ORDERING INFORMATION

700BCARS	LENGTH (A)	FINISH	LAMP
	3.22"	C CHROME S SATIN NICKEL	-LED927 LED 90 CRI 2700K 120V

700BCARS _____

JOB NAME _____

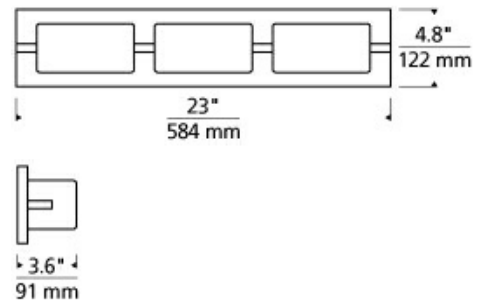
NOTES _____



ARRIS 3-LIGHT BATH

SPECIFICATIONS

HARDWARE MATERIAL	Metal
SHADE MATERIAL	Glass
NET WEIGHT	2 lbs
HEIGHT	4.8in
WIDTH	3.6in
LENGTH	23in
WET LISTED	
DAMP LISTED	
DRY LISTED	
GENERAL LISTING	
INCLUDES	



LAMPING SPECIFICATIONS

	LED LAMP	INTEGRATED LED	NON LED	NO LAMP
DELIVERED LUMENS		1290		
WATTS		30		
MAX WATTAGE PER BULB		30W		
INPUT VOLTAGE		120V		
DIMMING TYPE*		ELV, TRIAC		
CCT		2700K		
CRI		90 CRI		
LED LIFETIME				
L70				
AVERAGE BULB HOURS		50000		
FIELD SERVICEABLE LED				
LAMP BASE		Integrated LED		
LAMP SHAPE		T3		
LAMP INCLUDED?		Y		
WARRANTY**		5 Years		

*Dimming information available at www.techlighting.com/Downloads#dimming

** Visit techlighting.com for specific warranty limitations and details.

T20 / T24 INFORMATION

	Integrated LED	Replacement LED Lamp	No Lamp *
This product can be used to comply with California Building Energy Efficiency Standards 2016 Title 24 Part 6.	No		
This product can be used to comply with California Appliance Efficiency Standards 2016 Title 20 and may be shipped to and sold in California.	N/A		

* If a light fixture or component does not include a lamp or light source, it is the responsibility of the customer to select a lamp that meets the T24 and T20 requirements.

