

PRODUCT FEATURES

- Features elegant smooth wavy lines
- Inspired by The graceful force of ocean waves
- Optional Mechanical Connector for a longer run of light
- Ships with an energy efficient integrated LED lamp
- Fully dimmable integrated LED lamping creates the desired ambiance
- Protected by a 5-year warranty



LAMPING

Includes 75 watts of LED (63 watts, of downlight and 12 watts of uplight) 2694 total delivered lumens, 3000K. Ships with 12 ft of field-cuttable cable. Dimmable with most LED compatible ELV or Triac dimmers. 277V compatible with 0-10V dimmer.

Satin Nickel



Satin Nickel

White

ORDERING INFORMATION

700LSSURG FINISH

- S SATIN NICKEL
- W WHITE

LAMP

- LED LED 80 CRI 3000K 120V
- LED277 LED 80 CRI 3000K 277V

700LSSURG _____

JOB NAME _____

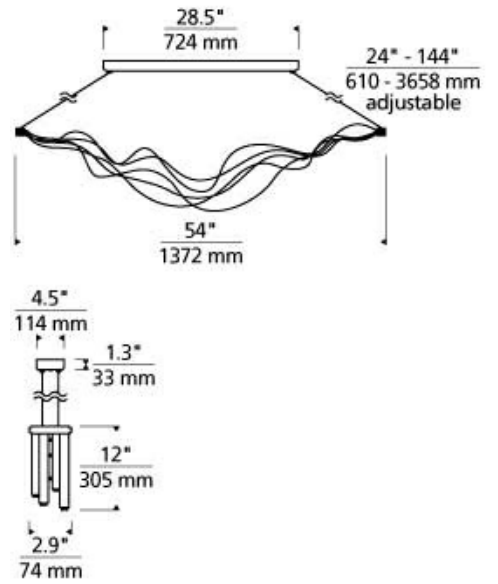
NOTES _____



SURGE LINEAR SUSPENSION

SPECIFICATIONS

HARDWARE MATERIAL	Metal
SHADE MATERIAL	
NET WEIGHT	21.00 lbs
HEIGHT	12in
WIDTH	5.9in
LENGTH	54in
UP LIGHT / DOWN LIGHT / BOTH?	
WET LISTED	
DAMP LISTED	Yes
DRY LISTED	
MIN. HANGING HEIGHT	
MAX HANGING HEIGHT	
TOTAL CORD LENGTH	144in
TOTAL STEM LENGTH	
STEM QTY	
SLOPED CEILING ADAPTABLE?	
GENERAL LISTING	
INCLUDES	



LAMPING SPECIFICATIONS

	LED LAMP	INTEGRATED LED	NON LED	NO LAMP
DELIVERED LUMENS		2750		
WATTS		57		
MAX WATTAGE PER BULB		57W		
INPUT VOLTAGE		120V 277V		
DIMMING TYPE*		ELV		
CCT		3000K		
CRI		90 CRI		
LED LIFETIME				
L70				
AVERAGE BULB HOURS		30000		
FIELD SERVICEABLE LED				
LAMP BASE		Integrated LED		
LAMP SHAPE		Integrated LED		
LAMP INCLUDED?		Y		
WARRANTY**		5 Years		

* Dimming information available at www.techlighting.com/Downloads#dimming

** Visit techlighting.com for specific warranty limitations and details.

T20 / T24 INFORMATION

	Integrated LED	Replacement LED Lamp	No Lamp *
This product can be used to comply with California Building Energy Efficiency Standards 2016 Title 24 Part 6.	No		
This product can be used to comply with California Appliance Efficiency Standards 2016 Title 20 and may be shipped to and sold in California.	Yes		

* If a light fixture or component does not include a lamp or light source, it is the responsibility of the customer to select a lamp that meets the T24 and T20 requirements.

