

## PRODUCT FEATURES

- Instantly transform just about any Tech Lighting pendant into a wall sconce
- Available in two on trend finish options, Antique Bronze and Satin Nickel
- Integrated telescoping arm accommodates pendants up to 20 inches in diameter and 20 pounds
- Ideal for bedrooms, bathrooms and hallways
- Compatible with GU24 Compact Fluorescent and 4-Pin Compact Fluorescent lamps
- 1 year warranty with no lamping option, visit [techlighting.com](http://techlighting.com) for more warranty details



## LAMPING

The integrated telescoping arm features a structural crossbar to support larger pendants up to 20 pounds and 20" in diameter. Compatible with Line-Voltage Pendants that use Incandescent, Halogen, GU24 Compact Fluorescent and 4-Pin Compact Fluorescent Lamps. When using 4-Pin Compact Fluorescent Lamps, use the ballast that is included with the Pendant. Can mount to either a 4" square electrical box with round plaster ring or an octagonal electrical box (not included).

Satin Nickel  
Shown with  
Audra Pendant



Antique Bronze  
Shown with  
Beacon Pendant

Antique Bronze  
Shown with  
Manette Pendant

Satin Nickel  
Shown with  
Audra Pendant

Satin Nickel  
Shown with  
Cleo Pendant

To view all available finish options, please visit [techlighting.com](http://techlighting.com)

## ORDERING INFORMATION

700WSCFT FINISH	LAMP
Z ANTIQUE BRONZE	INCANDESCENT/HALOGEN 120V
S SATIN NICKEL	

700WSCFT \_\_\_\_\_

JOB NAME \_\_\_\_\_

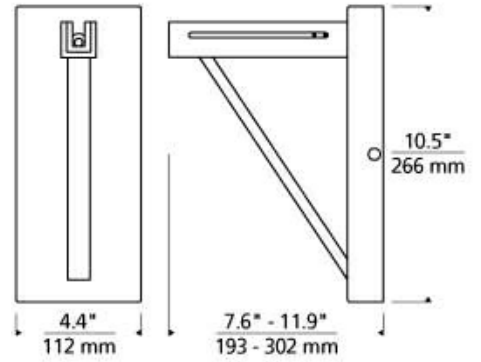
NOTES \_\_\_\_\_

\_\_\_\_\_



## SPECIFICATIONS

HARDWARE MATERIAL	
SHADE MATERIAL	
NET WEIGHT	1.31 lbs
HEIGHT	10.5in
WIDTH	11.9in
LENGTH	4.4in
MIN. EXTENSION FROM WALL	11.9in
UP LIGHT / DOWN LIGHT / BOTH?	
WET LISTED	
DAMP LISTED	
DRY LISTED	
UP / DOWN	
HORIZONTAL / VERTICAL	
WALL / CEILING MOUNT	
GENERAL LISTING	
ADA COMPLIANT	
INCLUDES	



## LAMPING SPECIFICATIONS

	LED LAMP	INTEGRATED LED	NON LED	NO LAMP
DELIVERED LUMENS				
WATTS				
MAX WATTAGE PER BULB			60W	
INPUT VOLTAGE			120V	
DIMMING TYPE*			ELV	
CCT				
CRI				
LED LIFETIME				
L70				
AVERAGE BULB HOURS				
FIELD SERVICEABLE LED				
LAMP BASE				
LAMP SHAPE				
LAMP INCLUDED?			Y	
WARRANTY**			1 Year	

\*Dimming information available at [www.techlighting.com/Downloads#dimming](http://www.techlighting.com/Downloads#dimming)  
 \*\* Visit [techlighting.com](http://techlighting.com) for specific warranty limitations and details.

## T20 / T24 INFORMATION

	Integrated LED	Replacement LED Lamp	No Lamp *
This product can be used to comply with California Building Energy Efficiency Standards 2016 <b>Title 24</b> Part 6.			N/A
This product can be used to comply with California Appliance Efficiency Standards 2016 <b>Title 20</b> and may be shipped to and sold in California.			N/A

\* If a light fixture or component does not include a lamp or light source, it is the responsibility of the customer to select a lamp that meets the T24 and T20 requirements.

