

CORUM PENDANT

PRODUCT FEATURES

- Contemporary clean line thin metal frame
- High-performing exposed LED lamping
- Provides a bounty of task lighting
- Ultra-modern satin nickel finish
- Fully dimmable integrated LED lamp
- Protected by a 5-year warranty



LAMPING

Inspired by the latest in automotive headlamp technology, when viewed from above, the center glows with a hint of illumination. Includes 5 watt, 500 gross lumens, 3000K LED. Ships with six feet of field-cutable suspension cable. Dimmable with low-voltage electronic or magnetic dimmer (based on transformer).



ORDERING INFORMATION

700	SYSTEM	COR	FINISH	LAMP
	FJ FREEJACK KL KABLE LITE MP MONOPOINT MO MONORAIL		S SATIN NICKEL	-LED830 12 VOLT LED 80 CRI 3000K

Note. MP includes 4" Round Flush Canopy.

700 _____ COR _____

JOB NAME _____

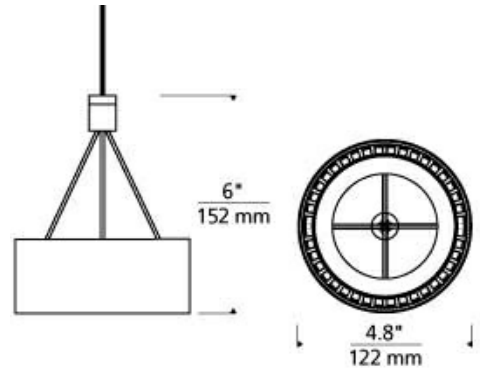
NOTES _____



CORUM PENDANT

SPECIFICATIONS

HARDWARE MATERIAL	Metal
SHADE MATERIAL	Metal
NET WEIGHT	1.19 lbs
HEIGHT	6in
WIDTH	4.8in
LENGTH	4.8in
UP LIGHT / DOWN LIGHT / BOTH?	
WET LISTED	
DAMP LISTED	Yes
DRY LISTED	
MIN. HANGING HEIGHT	12.5in
MAX HANGING HEIGHT	78.5in
SLOPED CEILING ADAPTABLE?	
GENERAL LISTING	
INCLUDES	



LAMPING SPECIFICATIONS

	LED LAMP	INTEGRATED LED	NON LED	NO LAMP
DELIVERED LUMENS				
WATTS	5			
MAX WATTAGE PER BULB	5W			
INPUT VOLTAGE	12V 120V			
DIMMING TYPE*	ELV			
CCT	3000K			
CRI	80 CRI			
LED LIFETIME				
L70				
AVERAGE BULB HOURS	50000			
FIELD SERVICEABLE LED				
LAMP BASE	Integrated LED			
LAMP SHAPE	T3			
LAMP INCLUDED?	Y			
WARRANTY**	5 Years			

* Dimming information available at www.techlighting.com/Downloads#dimming

** Visit techlighting.com for specific warranty limitations and details.

T20 / T24 INFORMATION

	Integrated LED	Replacement LED Lamp	No Lamp *
This product can be used to comply with California Building Energy Efficiency Standards 2016 Title 24 Part 6.		No	
This product can be used to comply with California Appliance Efficiency Standards 2016 Title 20 and may be shipped to and sold in California.		N/A	

* If a light fixture or component does not include a lamp or light source, it is the responsibility of the customer to select a lamp that meets the T24 and T20 requirements.

