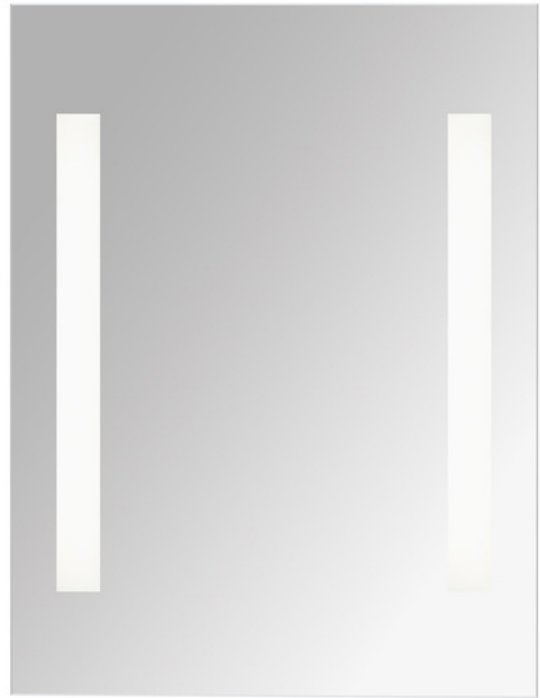


## PRODUCT FEATURES

- Adds simple sophistication to any bathroom space
- Beautiful lighted mirror provides ambient and general illumination lighting
- ADA compliant
- Ideal for vanities and bathrooms
- All lamping options are fully dimmable to create the desired ambiance in any space
- Protected by a 5-year warranty if integrated LED lamp is chosen and 1-year warranty if fluorescent lamp option is chosen

## LAMPING

Includes 17.6 watt, 615 total delivered lumens, 3000K LED module. Dimmable with most LED compatible ELV or Triac dimmers. 277V compatible with 0-10V dimmer. Mounts vertically only. ADA compliant.



TL Reflection Mirror



TL Reflection Mirror

## ORDERING INFORMATION

### 700VNRFL LAMP

- LED930 INTEGRATED LED 90 CRI 3000K 120V
- LED930-277 INTEGRATED LED 90 CRI 3000K 277V

700VNRFL \_\_\_\_\_

JOB NAME \_\_\_\_\_

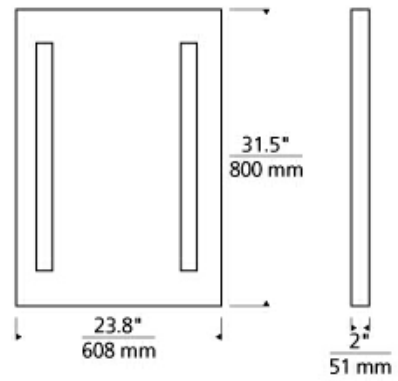
NOTES \_\_\_\_\_  
\_\_\_\_\_  
\_\_\_\_\_



# REFLECTION MIRROR

## SPECIFICATIONS

HARDWARE MATERIAL	Metal
SHADE MATERIAL	Glass
NET WEIGHT	14 lbs
HEIGHT	31.5in
WIDTH	2in
LENGTH	23.8in
WET LISTED	
DAMP LISTED	
DRY LISTED	
GENERAL LISTING	
INCLUDES	



## LAMPING SPECIFICATIONS

	LED LAMP	INTEGRATED LED	NON LED	NO LAMP
DELIVERED LUMENS		615		
WATTS		17.6		
MAX WATTAGE PER BULB		17.6W		
INPUT VOLTAGE		120V 277V		
DIMMING TYPE*				
CCT		3000K		
CRI		90 CRI		
LED LIFETIME				
L70				
AVERAGE BULB HOURS				
FIELD SERVICEABLE LED				
LAMP BASE		Integrated LED		
LAMP SHAPE		Integrated LED		
LAMP INCLUDED?		Y		
WARRANTY**		5 Years		

\* Dimming information available at [www.techlighting.com/Downloads#dimming](http://www.techlighting.com/Downloads#dimming)

\*\* Visit [techlighting.com](http://techlighting.com) for specific warranty limitations and details.

## T20 / T24 INFORMATION

	Integrated LED	Replacement LED Lamp	No Lamp *
This product can be used to comply with California Building Energy Efficiency Standards 2016 <b>Title 24</b> Part 6.	Yes		
This product can be used to comply with California Appliance Efficiency Standards 2016 <b>Title 20</b> and may be shipped to and sold in California.	N/A		

\* If a light fixture or component does not include a lamp or light source, it is the responsibility of the customer to select a lamp that meets the T24 and T20 requirements.

