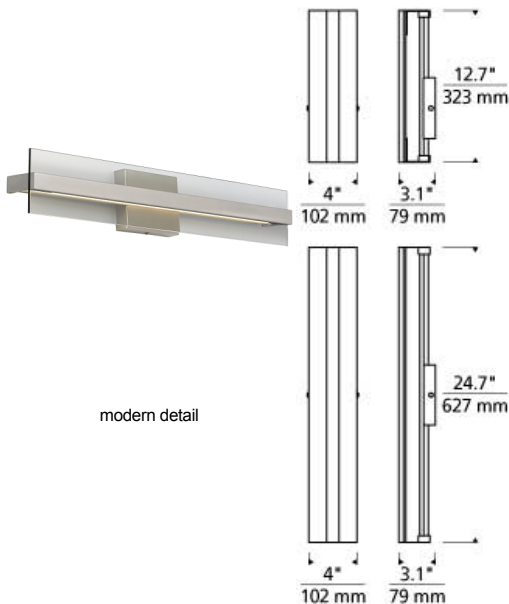


# WALL COLLECTION

## Windrush Wall LED ADA SORAA T20

### DESCRIPTION

The Windrush wall sconce light by Tech Lighting is modern and sophisticated in design featuring twin glass or acrylic panes and a decorative metal center. A special co-extruded remote phosphor LED light source back-lights the panes for a beautifully smooth wash of light. This highly customizable wall sconce is available in two sizes, three on-trend finish colors, three shade colors and two unique detail styles. Due to its two sizes options the Windrush is ideal for bathroom lighting flanking a vanity, bedroom lighting flanking two end tables or hallway lighting. For even further design freedom the Windrush can be mounted vertically or horizontally. Your choice of LED lamping ships with the Windrush saving you time and money, all LED lamping options are fully dimmable to create the desired ambiance in your unique space. 1' version includes 14 watt, 238 delivered lumens, 2' version includes 20 watt, 514 delivered lumens of LEDa€™s. Both available in 4 CCT options and 2 CRI options. May be mounted horizontally or vertically. ADA compliant. Works with SORAA.



### INSTALLATION

This product can mount to either a 4" square electrical box with round plaster ring or an octagonal electrical box (not included).

### WEIGHT

7.8-15.6lb / 3.54-7.08kg ±



modern detail

### ORDERING INFORMATION

700WSWIN	LENGTH (A)	COLOR		FINISH	LAMP	
1	12"	M MODERN DETAIL	K	SMOKE GLASS	Z ANTIQUE BRONZE	-LED835 LED 80 CRI 3500K 120V
2	24"		Y	WHITE ACRYLIC	C CHROME	-LED835-277 LED 80 CRI 3500K 277V
			W	WHITE GLASS	S SATIN NICKEL	-LED930 LED 90 CRI 3000K 120V
						-LED930-277 LED 90 CRI 3000K 277V



**TECH LIGHTING®**

7400 Linder Avenue  
Skokie, Illinois 60077

T 847.410.4400  
F 847.410.4500

Tech Lighting, L.L.C.

700WSWIN \_\_\_\_\_

FIXTURE TYPE: \_\_\_\_\_

JOB NAME: \_\_\_\_\_

NOTES: \_\_\_\_\_

\_\_\_\_\_

\_\_\_\_\_

