

LOW - VOLTAGE HEADS

Stealth Head LED T20

DESCRIPTION

Inspired by advanced aerodynamics, this sleek LED head features a die-cast aluminum tail which also serves as its heat sink. The head rotates 360°, pivots 210° and is available in two beam spreads, 25° or 40°. Includes field replaceable 10 watt, 510 net lumen, 3000K LED module and removable eggcrate louver (compatible with 12V systems only). Dimmable to 10% with low-voltage electronic or magnetic dimmer (based on the transformer).

INSTALLATION

Socket terminates with FreeJack male connector, which may be installed into a system connector. Elements ordered with a system prefix include a connector for that system. For use on T~TRAK, order FreeJack version and T~TRAK FreeJack Connector (sold separately).

ACCESSORIES & OPTICAL CONTROLS

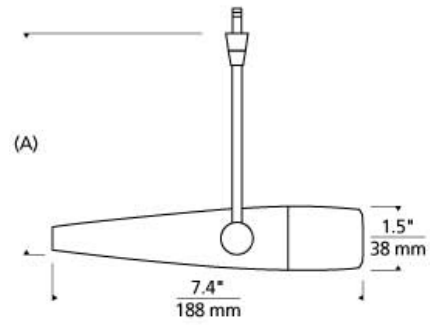
Eggcrate Louver

WEIGHT

2.2lb / 1kg ±



stealth head



ORDERING INFORMATION

700	SYSTEM	STL	CRI	COLOR TEMP	BEAM SPREAD	LENGTH (A)	FINISH		
FJ	FREEJACK		8	80 CRI	30	3000K LED	25 25°	04 4.5"	S SATIN NICKEL
MP	MONOPOINT				40		40°	12 12"	
MO	MONORAIL							18 18"	
MO2	TWO-CIRCUIT MONORAIL								
WMO	WALL MONORAIL								

Note: MP includes 4 Round Flush Canopy.

When installing LED option on MO2 only magnetic transformers may be used.



700 ____ STL _____

FIXTURE TYPE: _____

JOB NAME: _____

NOTES: _____
