

FLUSH & SEMI-FLUSH MOUNT

Mulberry Ceiling LED T20

DESCRIPTION

Square fabric flush mount. Glass diffuser provides a glare-free wash of light highlighted with satin nickel detail. Available in two sizes and two lamp configurations. Small version rated for (2) 60w max, E26 medium based lamps. Large version rated for (4) 60w max, E26 medium based lamps. Both available with LED option which includes 37 watt, 730 delivered lumen, 3000K LED module. Dimmable with low-voltage electronic dimmer.

INSTALLATION

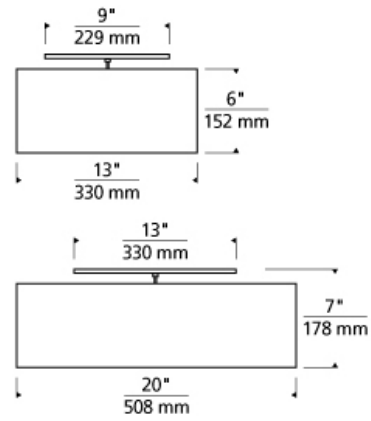
This product can mount to either a 4" square electrical box with round plaster ring or an octagonal electrical box (not included).

WEIGHT

5-6lb / 2.27-2.72kg ±



white



desert clay



white

ORDERING INFORMATION

700TDMULFM	SHAPE OR SIZE	COLOR	FINISH	LAMP
L	LARGE	C DESERT CLAY	S SATIN NICKEL	NO LAMP
S	SMALL	W WHITE		-LED830 LED 80 CRI 3000K 120V
				-LED830-277 LED 80 CRI 3000K 277V



TECH LIGHTING®

7400 Linder Avenue
Skokie, Illinois 60077

T 847.410.4400
F 847.410.4500

Tech Lighting, L.L.C.

700TDMULFM _____

FIXTURE TYPE: _____

JOB NAME: _____

NOTES: _____



©2018 Tech Lighting, L.L.C. All Rights Reserved. The "Tech Lighting" graphic is a registered trademark of Tech Lighting, L.L.C. Tech Lighting reserves the right to change specifications for product improvements without notification.