

Lynk 12 Wall

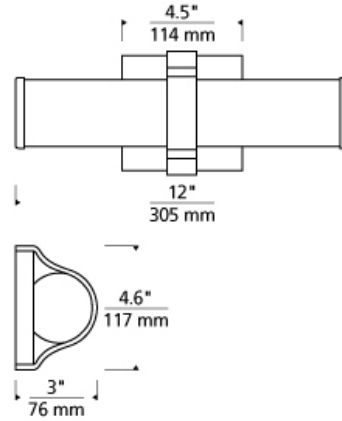
LED ADA T20

DESCRIPTION

The sleek metal band and matching die cast end caps of the Lynk 12 wall sconce light from Tech Lighting embrace a rounded acrylic shade to seamlessly blend traditional and contemporary design. Offered in three finishes to complete the contemporary design. Antique Bronze, Chrome and Satin Nickel. Can be mounted horizontally or vertically. Additional sizes available with 24" long and 36" long. LED includes 12 watt 650 lumen 90 CRI 3000K LED module. Dimmable with a low-voltage electronic dimmer. Mounts vertically or horizontally. ADA compliant.

WEIGHT

1.5-2lb / 0.68-0.91kg ±



antique bronze



chrome



satin nickel

ORDERING INFORMATION

700BCLYK LENGTH (A)	FINISH	LAMP
12 12"	Z BRONZE C CHROME S SATIN NICKEL	-LED930 INTEGRATED LED 90 CRI 3000K 120V -LED930-277 INTEGRATED LED 90 CRI 3000K 277V



TECH LIGHTING®

7400 Linder Avenue
Skokie, Illinois 60077

T 847.410.4400
F 847.410.4500

Tech Lighting, L.L.C.

700BC LYK _____

FIXTURE TYPE: _____

JOB NAME: _____

NOTES: _____



©2019 Tech Lighting, L.L.C. All Rights Reserved. The "Tech Lighting" graphic is a registered trademark of Tech Lighting, L.L.C.
Tech Lighting reserves the right to change specifications for product improvements without notification.