

WALL COLLECTION

Fett Wall

LED ADA T20

DESCRIPTION

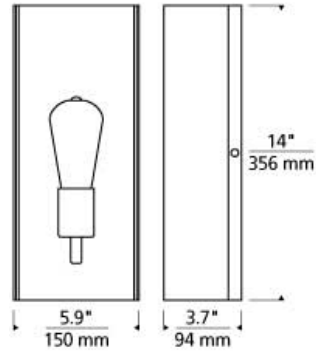
A thick, concave die-cast aluminum backplate is crafted using an artisanal sand casting process to produce an inherently rough signature texture. The deep weathered zinc finish creates sharp visual contrast to filaments within the Edison-style lamping. Rated for (1) 60w max, E26 medium based lamp (Not Included). LED includes 3.5 watt, 300 delivered lumen, 2700K medium base LED squirrel cage lamp. Mounts up or down.

INSTALLATION

This product can mount to either a 4" square electrical box with round plaster ring or an octagonal electrical box (not included).

WEIGHT

7.5-8lb / 3.4-3.63kg ±



weathered zinc

ORDERING INFORMATION

700WSFET COLOR

LAMP

E WEATHERED ZINC

NO LAMP

-LED927 LED T14 90 CRI 2700K 120V



TECH LIGHTING®

7400 Linder Avenue
Skokie, Illinois 60077

T 847.410.4400
F 847.410.4500

Tech Lighting, L.L.C.

700WS FET _____

FIXTURE TYPE: _____

JOB NAME: _____

NOTES: _____



©2018 Tech Lighting, L.L.C. All Rights Reserved. The "Tech Lighting" graphic is a registered trademark of Tech Lighting, L.L.C. Tech Lighting reserves the right to change specifications for product improvements without notification.