

# LINE - VOLTAGE PENDANTS / SUSPENSION

## Clark Pendant LED T20

### DESCRIPTION

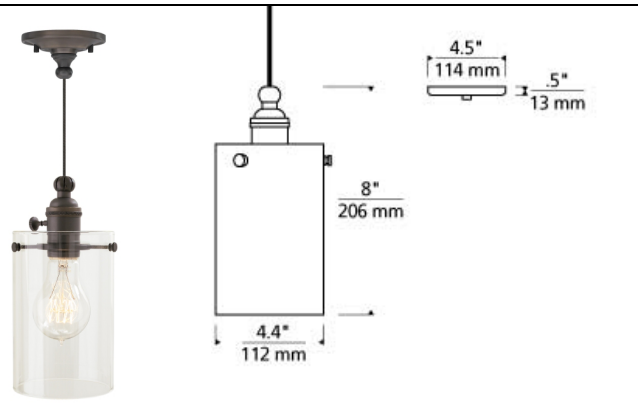
The Clark pendant from Tech Lighting is inspired by a warm vintage lamp socket. A key feature of the Clark pendant is its integrated on/off switch adding function to its already classic visual appeal. With its clear glass shade and 3 modern hardware finishes the Clark pendant will add class and sophistication to any space. With a 8" diameter the Clark pendant is ideal for kitchen island task lighting, bath lighting flanking a vanity or even home office lighting. A standard incandescent lamp is provided and is fully dimmable to create the desired ambiance. Rated for (1) 60 watt max medium base lamp (Lamp Not Included). LED version includes 120 volt 3.5 watt, 250 delivered lumens, 2700K, medium base LED Squirrel Cage lamp. LED version dimmable with an LED compatible or triac dimmer. Consult lamp manufacturer for more information.

### INSTALLATION

This product can mount to either a 4" square electrical box with round plaster ring or an octagonal electrical box (not included).

### WEIGHT

2.5-3lb / 1.13-1.36kg ±



havana brown



clear

### ORDERING INFORMATION

600CLKP COLOR	FINISH	LAMP
C CLEAR	Z ANTIQUE BRONZE N POLISHED NICKEL S SATIN NICKEL	NO LAMP -LED927 LED 90 CRI 2700K 120V



Tech Lighting, L.L.C.

600 CLKP \_\_\_\_\_

FIXTURE TYPE: \_\_\_\_\_

JOB NAME: \_\_\_\_\_

NOTES: \_\_\_\_\_

\_\_\_\_\_

\_\_\_\_\_



©2018 Tech Lighting, L.L.C. All Rights Reserved. The "Tech Lighting" graphic is a registered trademark of Tech Lighting, L.L.C. Tech Lighting reserves the right to change specifications for product improvements without notification.