

LINE - VOLTAGE PENDANTS / SUSPENSION

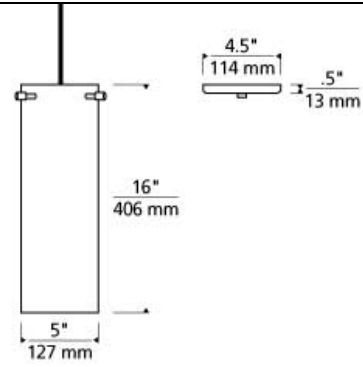
Beacon Pendant

DESCRIPTION

The Beacon pendant from Tech Lighting is an instant classic due to its clean and simple design. At the heart of the elongated cylinder is a vintage filament lamp that is central to its contemporary design. Offered in five modern colors the Beacon works in a variety of spaces that will showcase style and sophistication. The 16" well-proportioned size of the Beacon make it ideal for task lighting over a kitchen island, living room lighting and bath lighting flanking a vanity. No lamp rated for (1) 75 watt max, E26 medium based lamp (Lamp Not Included). Incandescent version includes 120 volt, 30 watt medium base T9 Classic Edison Style lamp. Ships with six feet of field-cuttable cable. Incandescent version dimmable with standard incandescent dimmer.



amber



INSTALLATION

This product can mount to either a 4" square electrical box with round plaster ring or an octagon electrical box.

OTHER

TD includes 4.5" Round Canopy.
Antique Bronze and Black Finish Only Available on TD.
CF277 Lamp Only Available on TD.

WEIGHT

4-4.5lb / 1.81-2.04kg ±



amber



aquamarine



clear



smoke



steel blue

ORDERING INFORMATION

700 SYSTEM BCNP

COLOR

FINISH

LAMP

TD LINE-VOLTAGE PENDANTS/SUSPENSION
TT SINGLE-CIRCUIT T-TRAK

A AMBER
Q AQUAMARINE
C CLEAR
K SMOKE
U STEEL BLUE

Z ANTIQUE BRONZE
B BLACK
S SATIN NICKEL
W WHITE

NO LAMP
-INC INCANDESCENT



TECH LIGHTING®

7400 Linder Avenue T 847.410.4400
Skokie, Illinois 60077 F 847.410.4500

Tech Lighting, L.L.C.

700 ____ BCNP ____ _

FIXTURE TYPE: _____

JOB NAME: _____

NOTES: _____



©2018 Tech Lighting, L.L.C. All Rights Reserved. The "Tech Lighting" graphic is a registered trademark of Tech Lighting, L.L.C.
Tech Lighting reserves the right to change specifications for product improvements without notification.