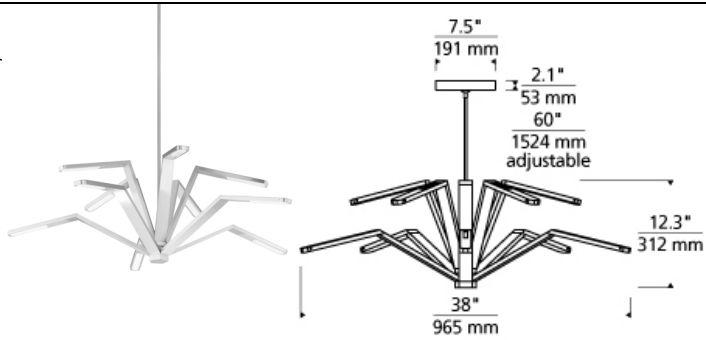


LINE - VOLTAGE PENDANTS / SUSPENSION

Aragon Suspension LED T20

DESCRIPTION

Trigonometry and technology converge in the Aragon chandelier by Tech Lighting. Dramatically angled arms, housing beautifully diffused LED modules, create the perfect balance of direct and indirect illumination. This assertive architectural approach decisively redefines the modern chandelier. The Aragon is available in two modern colors, matte white and satin nickel and come with your choice of efficient LED lamping saving you time and money. Both lamping options are fully dimmable to create the desired ambiance in your unique space. This wholly modern chandelier adds high-end sophistication to dining room lighting, foyer lighting and commercial lighting applications alike. Includes (10) integrated 3.5 watts up, and (10) 6 watt down, 2950 total delivered lumens, 3000K LED modules. Fixture provided with 60 inches of variable rigid stems (includes (1) twelve inch & (2) twenty-four inch) in coordinating finish. Dimmable with most LED compatible ELV and TRIAC dimmers. Integrated ball joint accommodates sloped ceiling up to 45°.



INSTALLATION

This product can mount to either a 4" square electrical box with round plaster ring or an octagonal electrical box (not included).

WEIGHT

18-18.5lb / 8.16-8.39kg ±



satin nickel

white

ORDERING INFORMATION

700ARGN FINISH

LAMP

W MATTE WHITE
S SATIN NICKEL

-LED930 LED 90 CRI 3000K 120V
-LED930-277 LED 90 CRI 3000K 277V



TECH LIGHTING®

7400 Linder Avenue T 847.410.4400
Skokie, Illinois 60077 F 847.410.4500

Tech Lighting, L.L.C.

700 ARGN _____

FIXTURE TYPE: _____

JOB NAME: _____

NOTES: _____



©2019 Tech Lighting, L.L.C. All Rights Reserved. The "Tech Lighting" graphic is a registered trademark of Tech Lighting, L.L.C. Tech Lighting reserves the right to change specifications for product improvements without notification.