

BOWMAN 18 OUTDOOR PENDANT



The scale and classic profile of the Bowman pendant make a strong design statement in both residential and commercial outdoor environments. Featuring a spun aluminum body and subtle diffuser, the Bowman pendant houses a powerful LED light source designed to deliver softly diffused down lighting for controlled and distinctive illumination.

Outstanding protection against the elements:

- Marine-grade powder coat finishes
- Stainless Steel mounting hardware
- Impact-resistant, UV stabilized lensing
- IP-65 Rated

Adjustable distance from ceiling

SPECIFICATIONS

DELIVERED LUMENS	2556
WATTS	36
VOLTAGE	Universal 120-277V
DIMMING	0-10, ELV, TRIAC
LIGHT DISTRIBUTION	Symmetric
MOUNTING OPTIONS	Ceiling
ADJUSTABILITY	Adjustable stem length (3", 6" and 12"). Integrated ball joint that accommodates sloped ceiling up to 45°.
CCT	2700K, 3000K or 4000K
CRI	90+
COLOR BINNING	3 Step
BUG RATING	B1-U2-G1
DARK SKY	Non-compliant
WET LISTED	IP65
GENERAL LISTING	ETL
CALIFORNIA TITLE 24	Can be used to comply with CEC 2016 Title 24 Part 6 for outdoor use. Registration with CEC Appliance Database not required.
START TEMP	-30°C
FIELD SERVICEABLE LED	Yes
CONSTRUCTION	Aluminum
HARDWARE	Stainless Steel
FINISH	Marine Grade Powder Coat
LED LIFETIME	L70; 70,000 Hours
WARRANTY*	5 Years

* Visit techlighting.com for specific warranty limitations and details.



BOWMAN 18 PENDANT
shown in charcoal



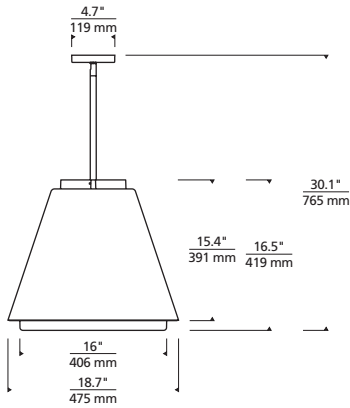
BOWMAN 18 PENDANT
shown in bronze

ORDERING INFORMATION

7000PBOW	CRI / CCT	WIDTH	FINISH	VOLTAGE
927	90 CRI, 2700K	18 18"	Z BRONZE	UNV 120V-277V
930	90 CRI, 3000K		H CHARCOAL	
940	90 CRI, 4000K		B BLACK	

RIGID STEM ONLY (ADJUSTABLE 3", 6" AND 12" LENGTHS)

BOWMAN 18 OUTDOOR PENDANT



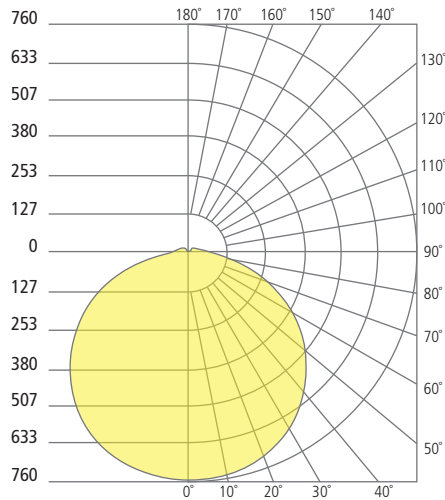
Bowman Pendant

PHOTOMETRICS*

*For latest photometrics, please visit www.techlighting.com/OUTDOOR

BOWMAN 18 PENDANT

Total Lumen Output: 2556
 Total Power: 36
 Luminaire Efficacy: 71
 Color Temp: 4000K
 CRI: 90+
 BUG Rating: B1-U2-G1



PROJECT INFO

FIXTURE TYPE & QUANTITY

JOB NAME & INFO

NOTES



© 2018 Tech Lighting, L.L.C. All rights reserved. The "Tech Lighting" graphic is a registered trademark of Tech Lighting, L.L.C. Tech Lighting reserves the right to change specifications for product improvements without notification.



GENERATION BRANDS
 7400 Linder Avenue, Skokie, Illinois 60077

T 847.410.4400 F 847.410.4500