

LED Pendants

FreeJack LED Pendants 1.0

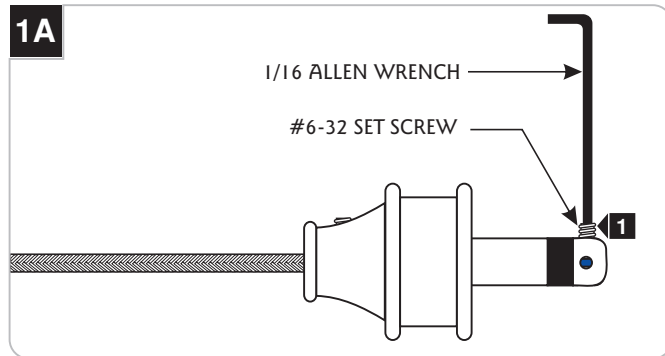


GENERAL PRODUCT INFORMATION:

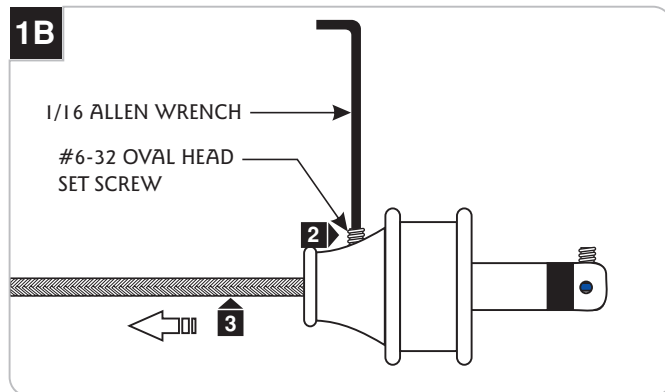


This product is ETL listed and suitable only for indoor dry locations and approved for use at any height above the finished floor.

Adjust The Fixture Height

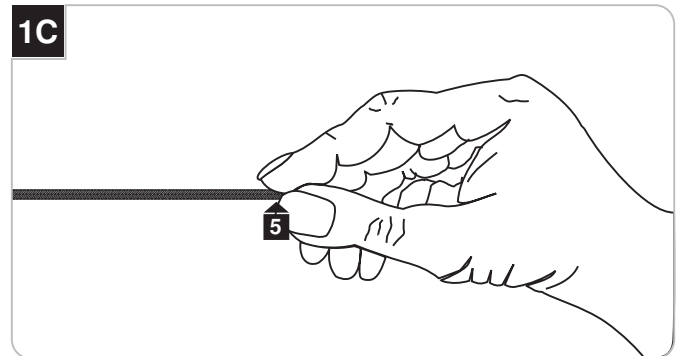


1 Back out (**Do Not Remove**) the #6-32 set screw on tip of the connector with the provided 1/16 Allen wrench.



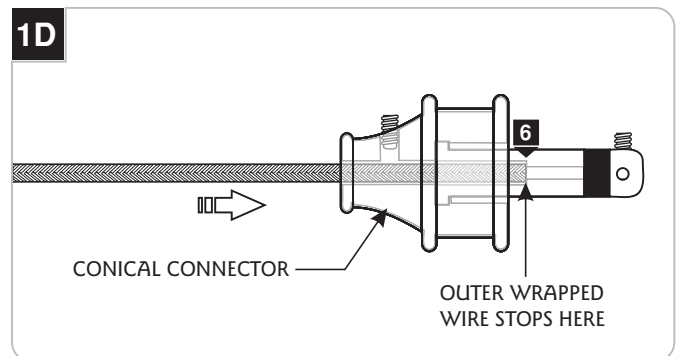
2 Back out (**Do Not Remove**) the #6-32 oval head set screw on the conical connector with the provided 1/16 Allen wrench.

3 Pull the coaxial cable out.

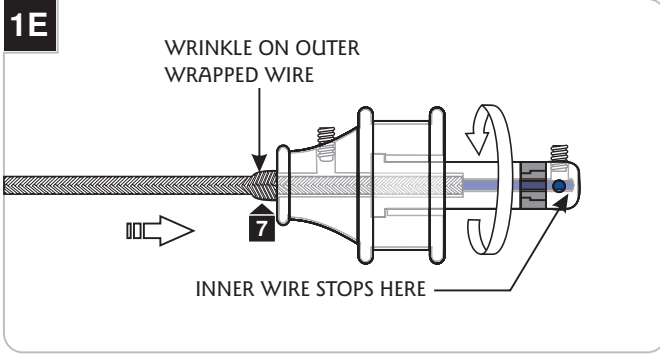


4 Cut the coaxial cable to the desired length.

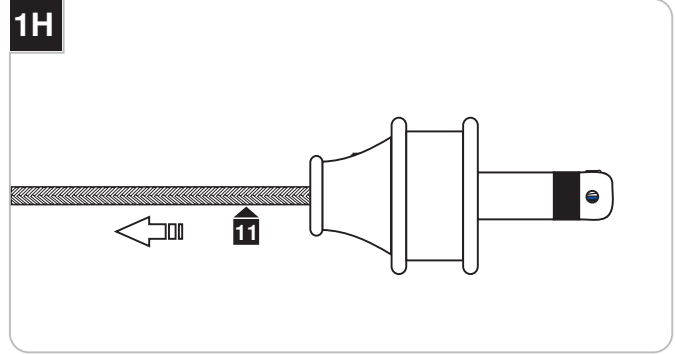
5 Gently twist the end of the coaxial cable between thumb and forefinger.



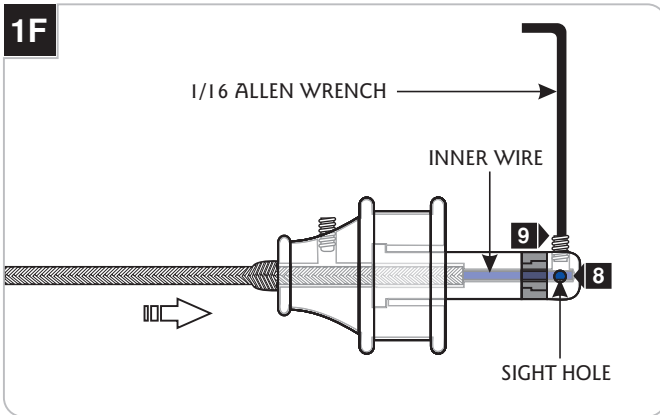
6 Feed and push the coaxial cable into the conical connector. The coaxial cable will come to a stop point after being inserted 3/4" into the conical connector.



7 Keep pushing the coaxial cable into the connector while rotating the connector to ease feeding the inner wire into the tip of the connector. The outer wrapped wire will start wrinkling while being inserted another 1/2" into the connector.

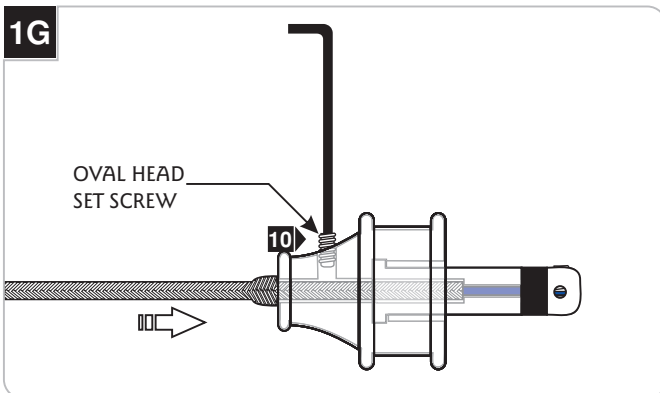


11 Pull the coaxial cable toward the fixture to smooth the wrinkles.



8 Look into the sight hole on the top of the connector to make sure that the inner wire is contacting the end of the connector.

9 Hold the coaxial cable in place and tighten the #6-32 set screw on tip of the connector with the provided 1/16 Allen wrench. **Make sure that this set screw connection is tight.**



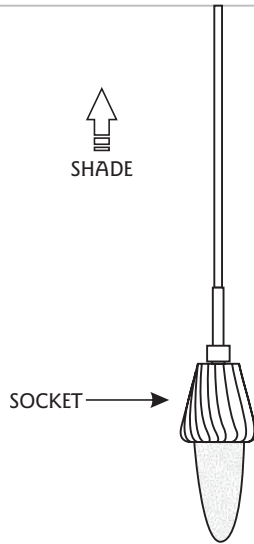
10 Tighten the #6-32 oval head set screw on the conical connector firmly.

Replacing the Lamp

CAUTION: To reduce the risk of electric shock during relamping, disconnect the power to the fixture.

The lamp is rated at 5.8 watts at 12 volts.

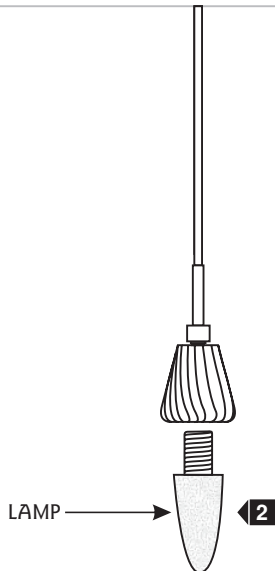
2A



1 Lift the shade up to expose the socket.

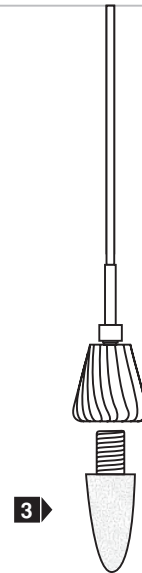
NOTE: Use only your fingers to replace the lamp.

2B



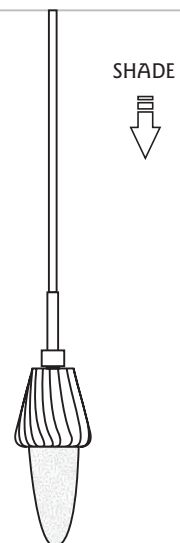
2 Unscrew the old lamp.

2C



3 Screw the new lamp into the socket.

2D



5 Lower the shade onto the socket assembly.

SAVE THESE INSTRUCTIONS!



7400 Linder Ave, Skokie, IL 60077
847.410.4400

www.wilmettelighting.com

© 2008 Wilmette Lighting Company. All rights reserved. The "Wilmette Lighting Company" graphic is a registered trademark of Wilmette Lighting Company. Wilmette Lighting Company reserves the right to change specifications for product improvements without notification.

A Generation Brands Company