

# Hex Suspension

700TDHEX\_

1.0



## GENERAL PRODUCT INFORMATION:



This product can mount to either a 4" square electrical box with a round plaster ring or an octagon electrical box.

This product is suitable for damp locations.

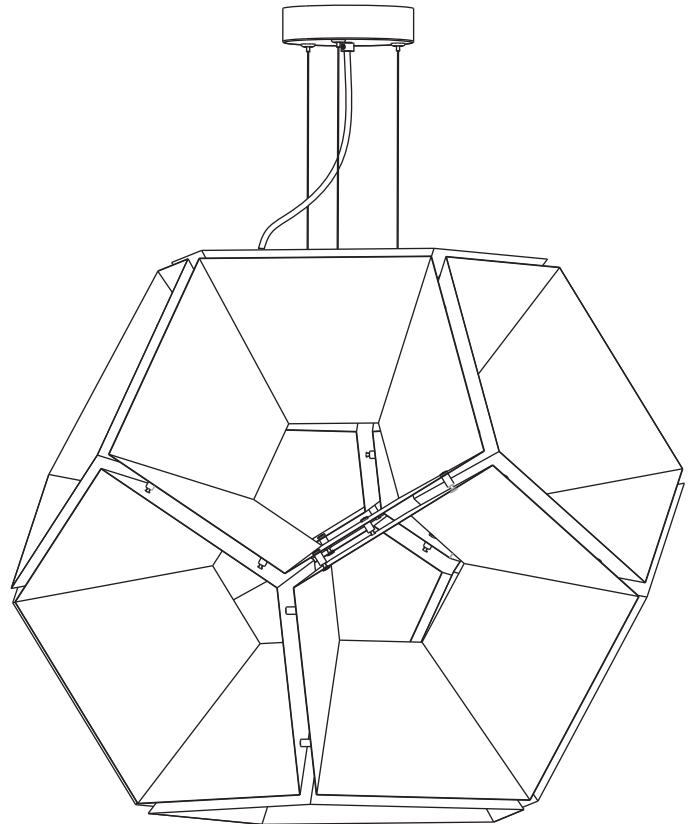
This product may be dimmed with a low-voltage electronic dimmer or triac dimmers.

This instruction shows a typical installation.

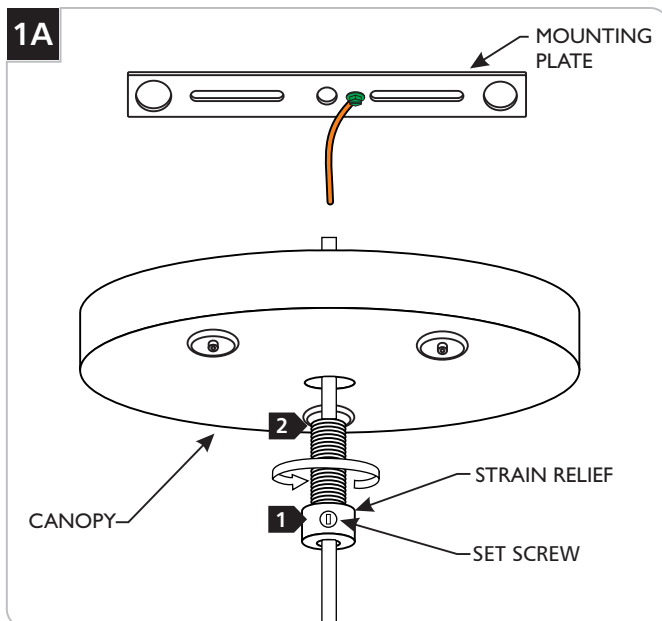
### CAUTION - RISK OF FIRE

This product must be installed in accordance with the applicable installation code by a person familiar with the construction and operation of the product and the hazards involved.

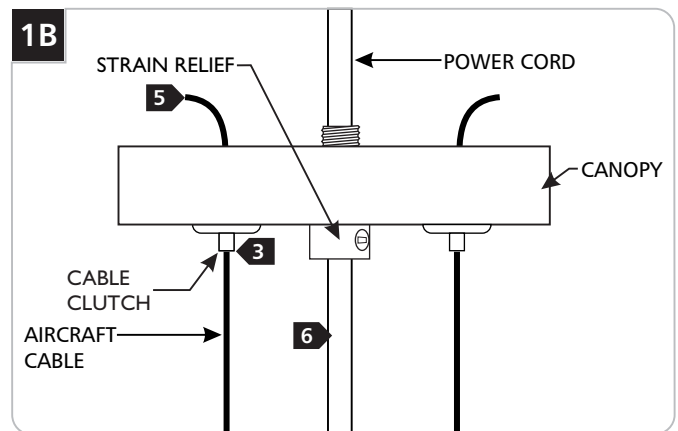
Use minimum 90°C supply conductors.



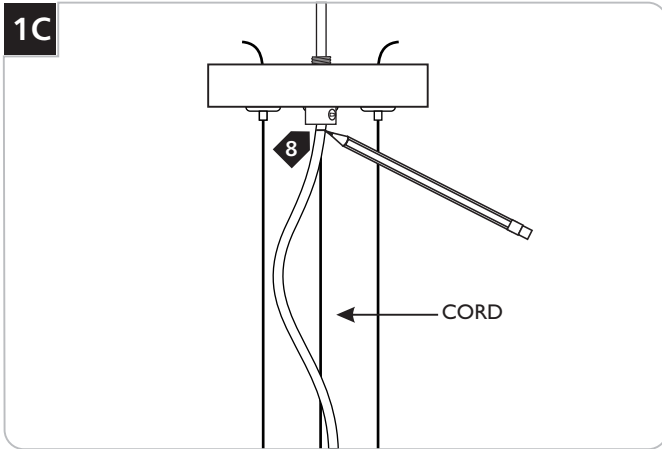
## Shorten the Power Cord



- 1** Loosen (Do Not Remove) the set screw on the strain relief.
- 2** Remove the crossbar from the canopy by completely unscrewing the strain relief.

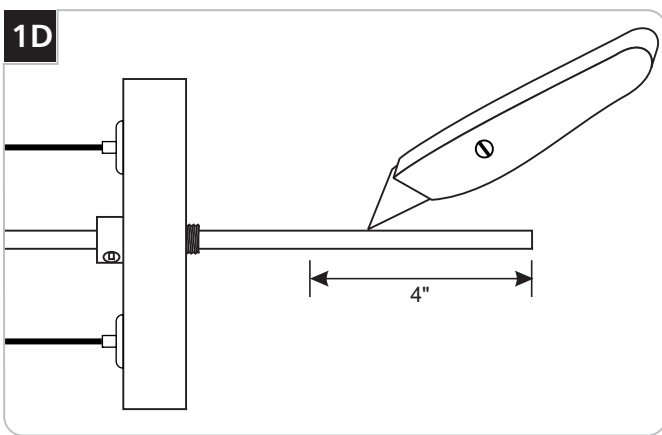


- 3** Feed the aircraft cable through the cable clutch in the canopy.
- 4** Pull the aircraft cable up through the canopy to determine the fixture height.
- 5** Cut off the excess aircraft cable leaving enough for fine leveling later.
- 6** Pull the power cord through the canopy to the desired length.



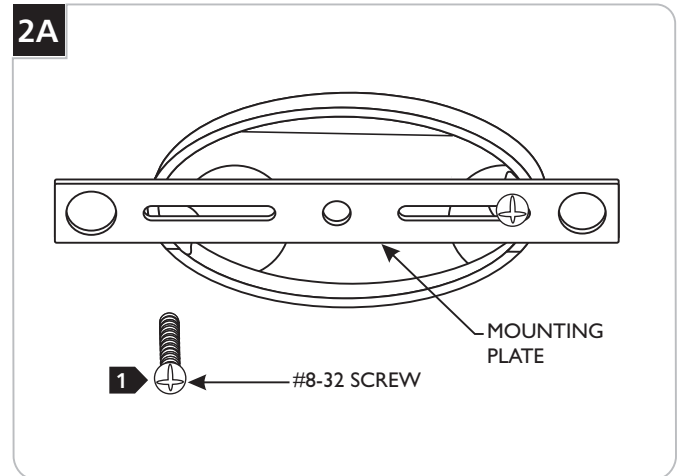
**NOTE:** The power cord does not support the fixture. For a casual "lazy cord" look, cut the power cord several inches longer than the drop height of the fixture.

- 7 Once the desired look is determined, tighten the set screw on the strain relief.
- 8 Mark the cord underneath the strain relief.

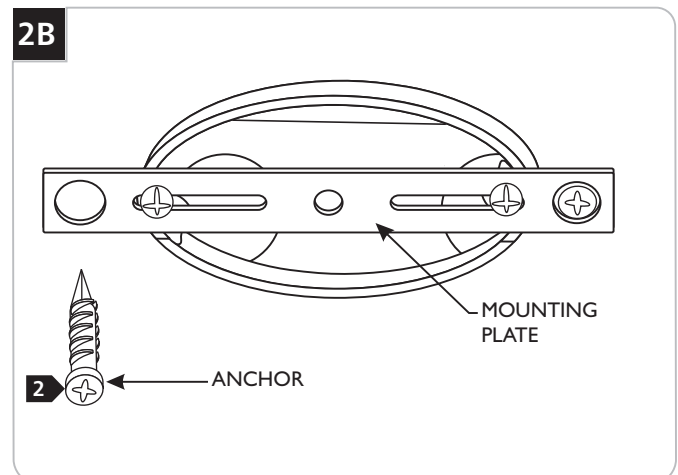


- 9 Leave 6" of the cord behind the canopy for power connections. Cut the excess cord.
- 10 From the end of the cord, strip the insulation 4" using a sharp knife. **Make sure not to nick the inner wires.**
- 11 Strip the end of the wires.

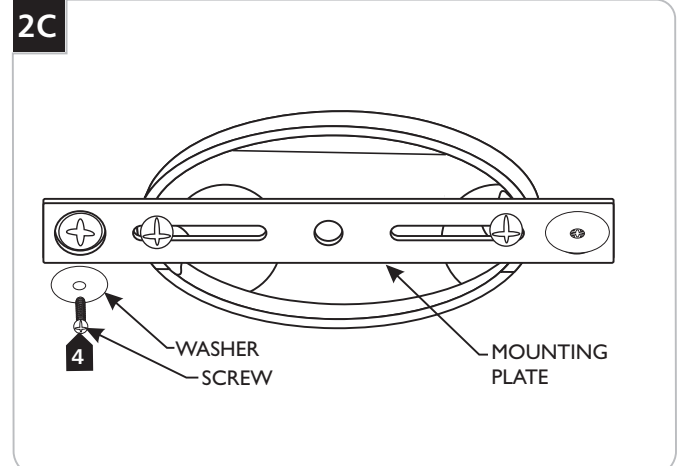
## Install the Fixture



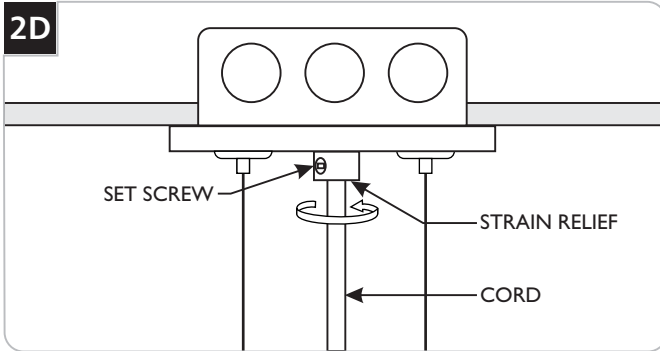
- 1 Secure the mounting plate to the junction box with the provided #8-32 screws.



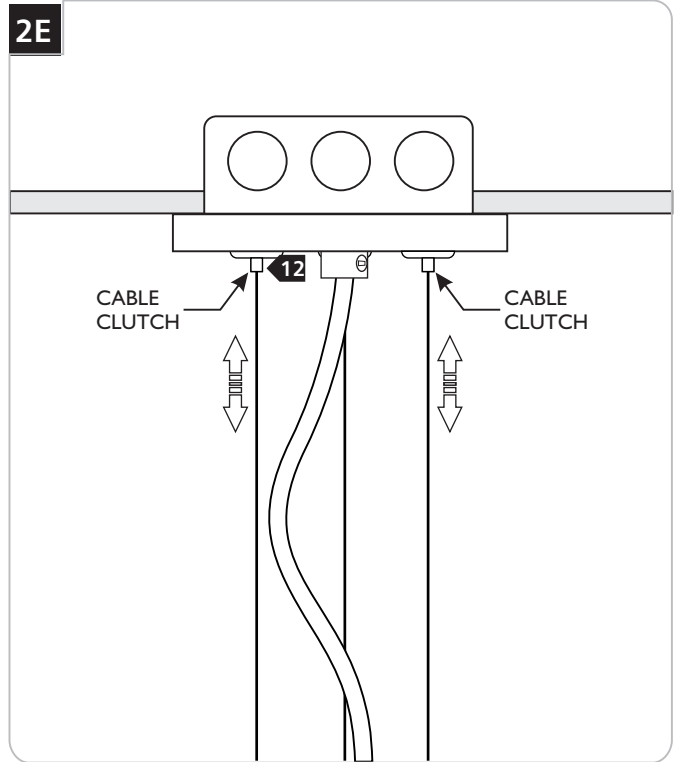
- 2 Line up an anchor with the center of a backplate hole and push the anchor in up to the threads.
- 3 Screw the anchor the rest of the way in with a screwdriver.



- 4 Secure the backplate to the anchor with a screw and washer.
- 5 Repeat steps 2-4 for the remaining anchor hole.

**2D**

- 6** Place all wires and wire nut connections properly inside the canopy.
- 7** Loosen the set screw on the strain relief.
- 8** Align the canopy center hole with the mounting plate center hole.
- 9** Place the canopy up against the ceiling and secure it in place by tightening the strain relief into the mounting plate. **Do not turn the cord.**
- 10** Push the cord into the canopy and line up the marked point on the cord with the bottom of the strain relief.
- 11** Tighten the plastic set screw to secure the cord.

**2E**

- 12** Adjust the aircraft cables until the fixture is level; feed the cable into the cable clutch to raise the fixture and push in on the cable clutch nipple to release the cable and lower the fixture.

**SAVE THESE INSTRUCTIONS!**



7400 Linder Ave, Skokie, IL 60077  
847.410.4400

[www.techlighting.com](http://www.techlighting.com)

© 2018 Tech Lighting, L.L.C. All rights reserved. The "Tech Lighting" graphic is a registered trademark of Tech Lighting, L.L.C. Tech Lighting reserves the right to change specifications for product improvements without notification.  
A Generation Brands Company